

"T" = 1.464  $\pm$ .012

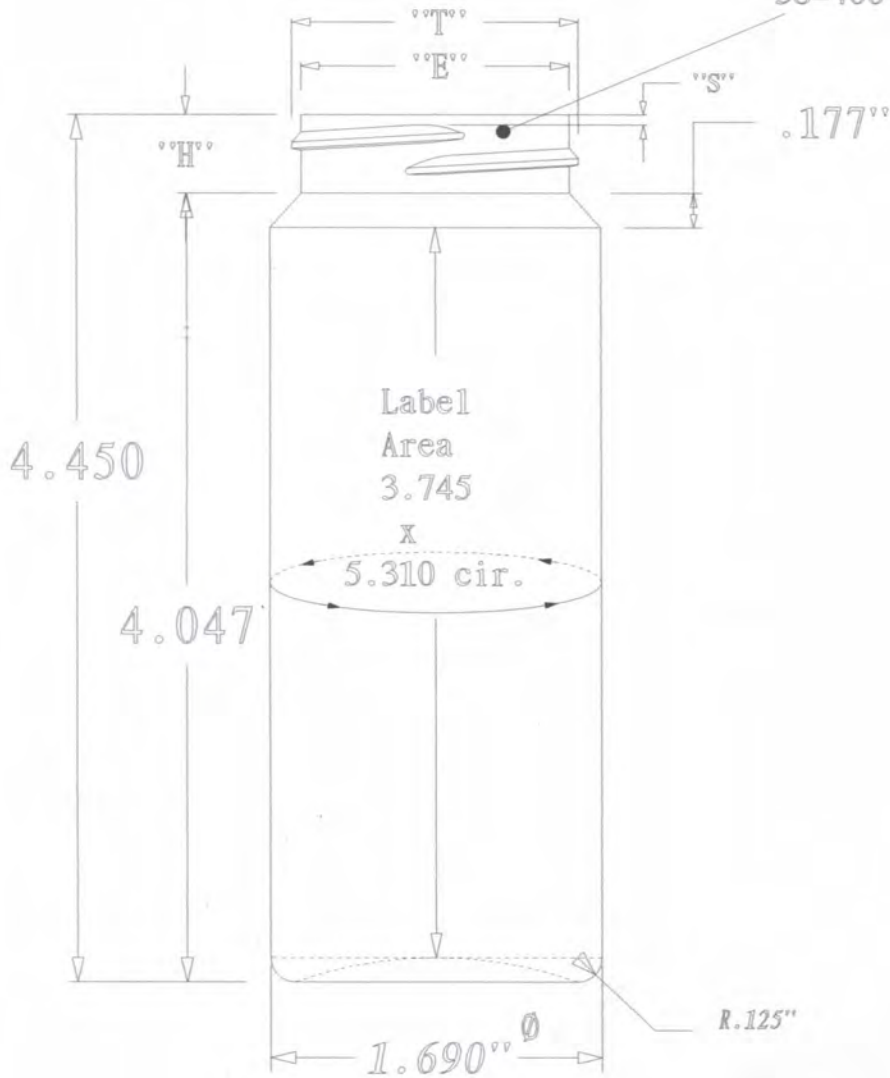
"E" = 1.370  $\pm$ .012

"H" = 0.403  $\pm$ .015

"S" = 0.046  $\pm$ .015

6-TPI

38-400 Neck Finish



R. N. FINK MFG. CO.  
WILLIAMSTON, MI  
48895

Date:	03/27/2017	DoNot Scale Drawing
Weight:	Grams	Drawn by: R.Scott
Part Name:	4 oz. SS Cyl 38/400 Neck Finish	