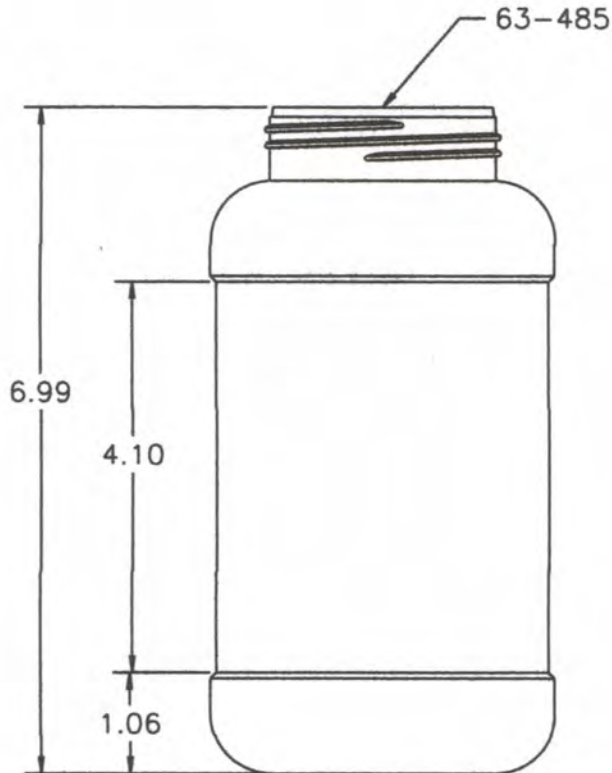



T = 2.492 - 2.508
 E = 2.346 - 2.362
 H = .762 - .778
 S = .031 - .061
 (S does not include upper neck relief)
 I = 2.000 min.



Label Panel Area 4.10 x 12.90

	R.N. FINK MFG. CO Williamston, MI 48895 517-655-4351	
	Date: May 26, 2021	Do not scale Drawn by: EF
Part Name:	32oz Panel Square 63-485 RCC Cap	