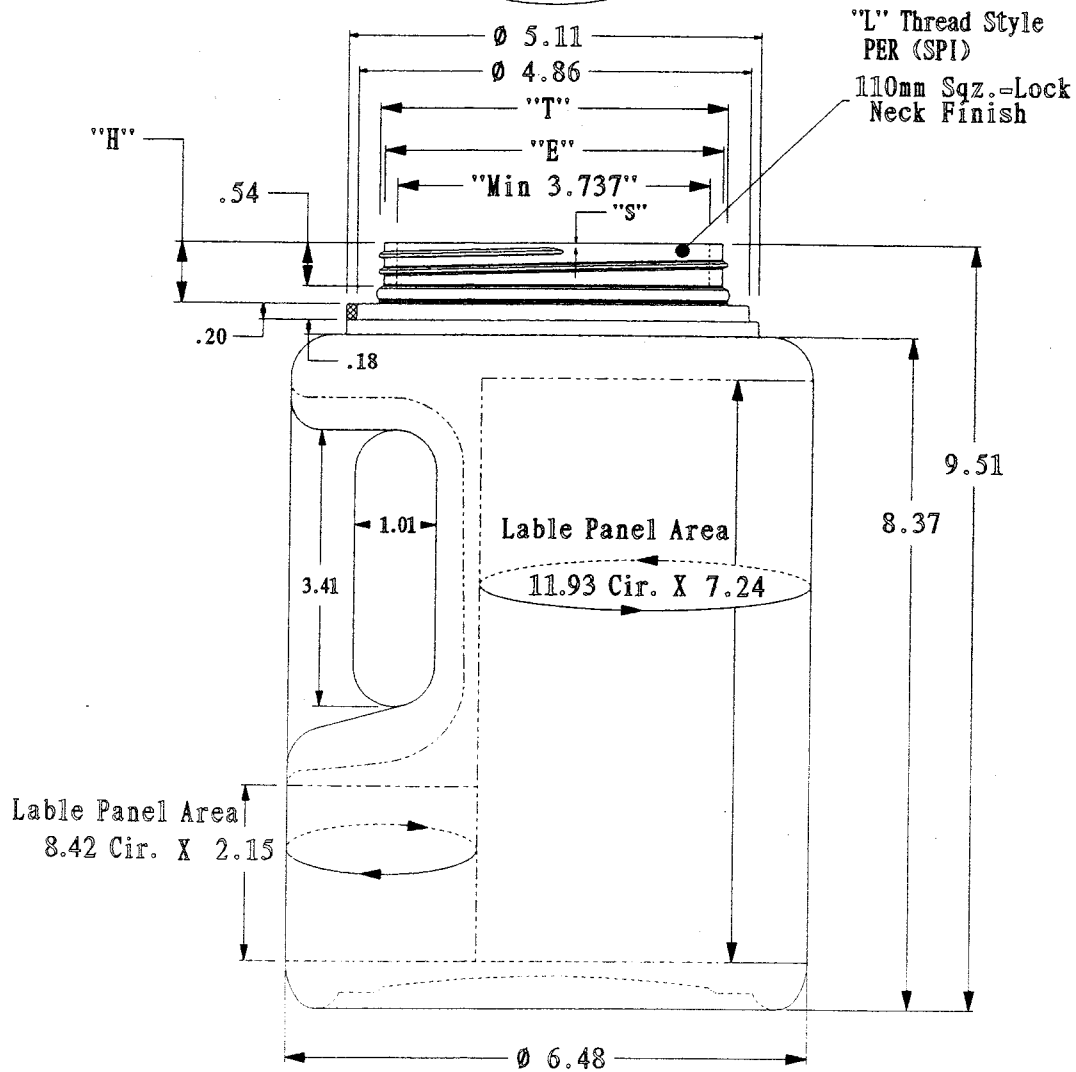
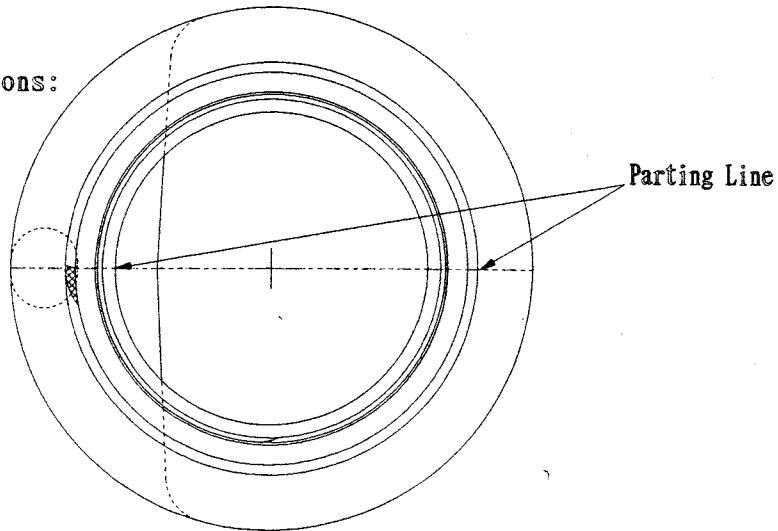


110-400 Sqz. Lock

Neck Finish Dimensions:

T = 4.331-4.296  
 E = 4.211-4.176  
 H = .775-.745  
 S = .045-.075  
 TPI = 5



A. N. FINK MFG. CO.  
 Williamston, Mi. 48895  
 517-655-4351

Over Flow: 139 oz. : 2oz.  
 Material: HD White 25% per

Date: Nov 09, 2010  
 Weight: 175 grams : 5  
 REV. #4  
 Drawn By: R.Scott

.000 = .015  
 .00 = .030

Part # G0102P

Part Name: 1Gal.Handle Round  
 110mm Sqz.-Lock Neck Finish