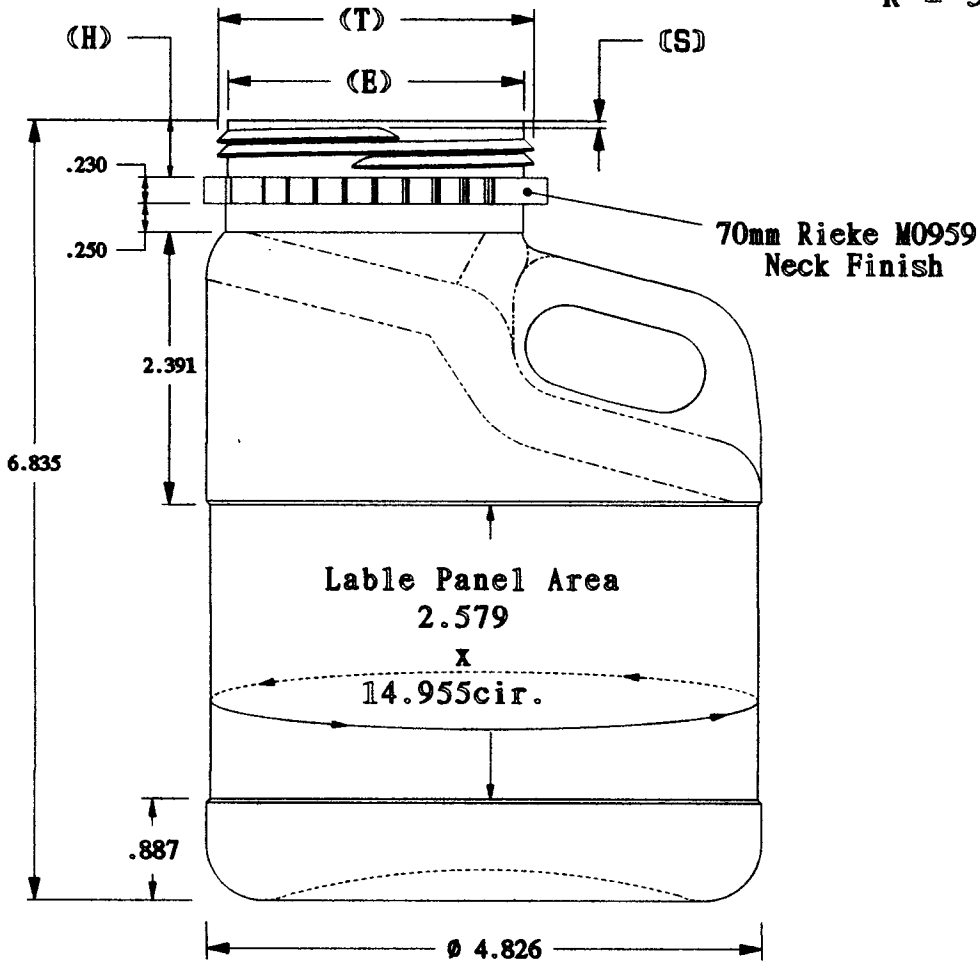
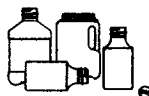


$T \approx 2.750 - 2.730$
 $E \approx 2.57$
 $H \approx .497 - .512$
 $S \approx .045 - .070$
 $L \approx 2.980 - 3.100$
 $R \approx 3.175 - 3.190$



		R. N. FINK MFG. CO. WILLIAMSTON, MI 48895	
Date: Nov 13, 2018		Do Not Scale	
Weight: 70 Grans		Drawn by: R.Scott	
Part Name: 48 oz. Handle Round		70mm Rieke M0959	