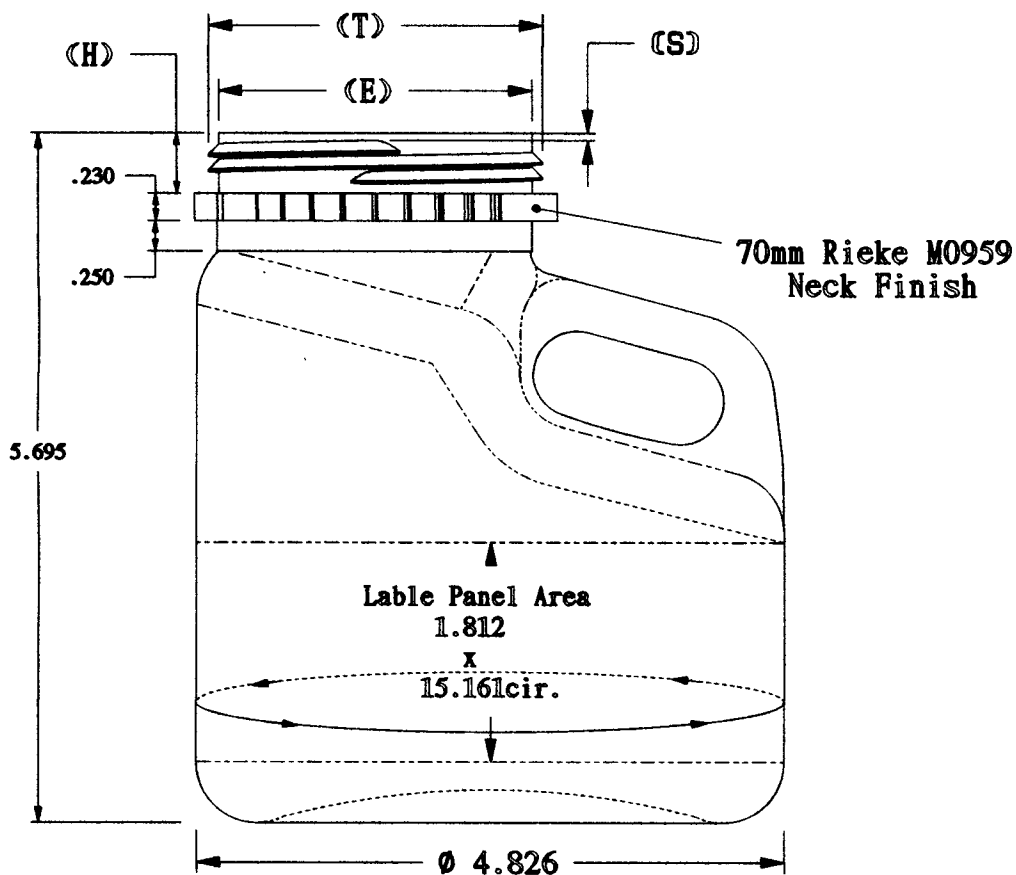



T  $\equiv$  2.750 - 2.730  
 E  $\equiv$  2.57  
 H  $\equiv$  .497 - .512  
 S  $\equiv$  .045 - .070  
 L  $\equiv$  2.980 - 3.100  
 R  $\equiv$  3.175 - 3.190



		<b>R. N. FINK MFG. CO.</b> WILLIAMSTON, MI 48895	
<b>Date:</b> NOV 13, 2018		<b>Do Not Scale</b>	
<b>Weight:</b> Grams		<b>Drawn by:</b> R.Scott	
<b>Part Name:</b> 1 Liter Handle Round 70mm Rieke M0959			