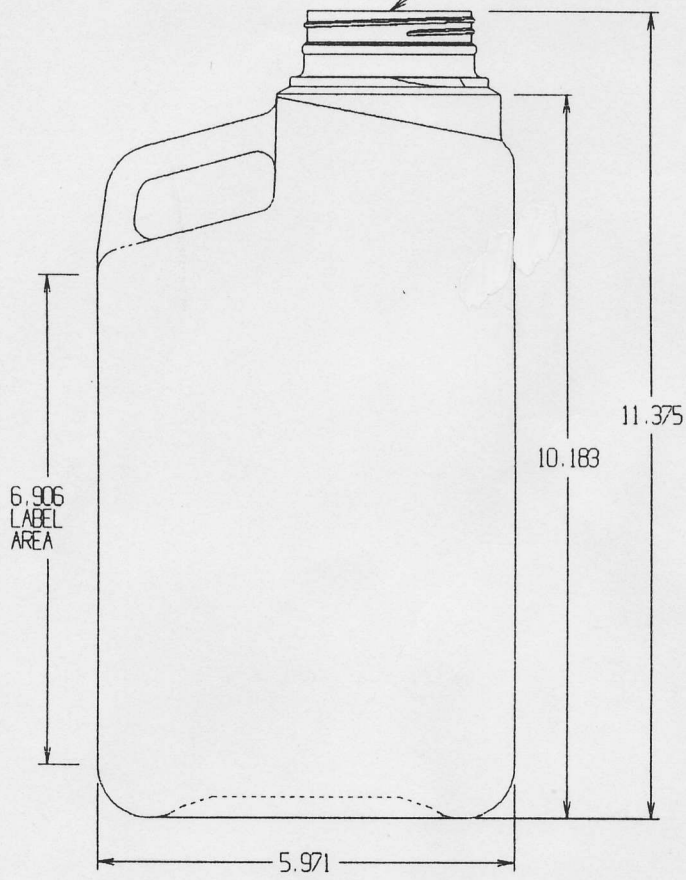


63mm SQUEEZE LOCK FINISH



LABEL AREA: 6.906H X 18.75



R. N. FINK MFG. CO.
WILLIAMSTON, MI
48895

| | |
|---|----------------|
| Date: Jun 26, 03 | Scale 1 = 1 |
| Weight: Grams | Drawn by: J.Y. |
| Part Name: 1 Gal. Handle Round 63mm Squeeze Lock | |