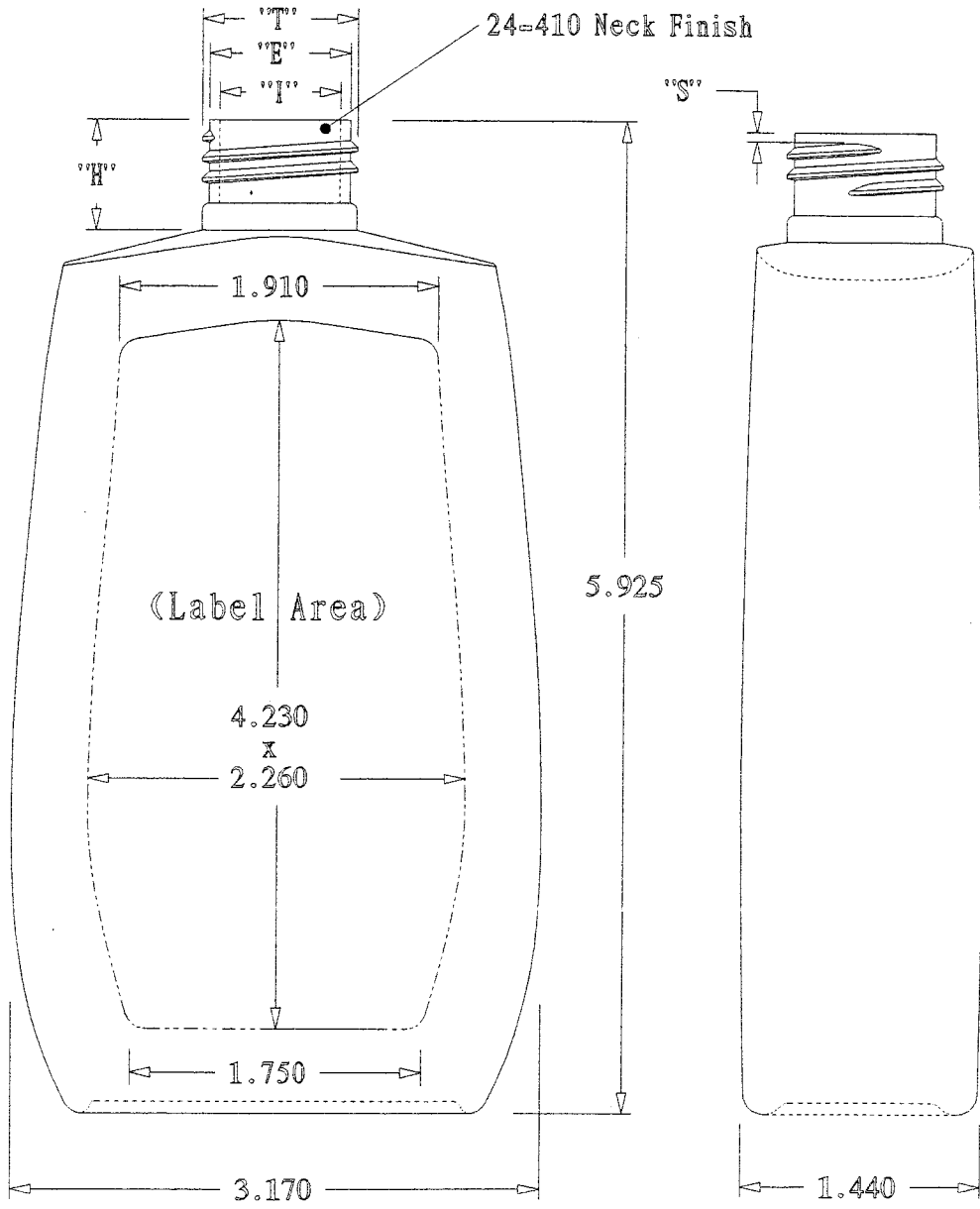
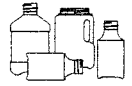


T = .924 / .940  
 E = .840 / .856  
 H = .631 / .661  
 S = .031 / .061  
 I = .516 Min.  
 8 Thd per inch



	R. N. FINK MFG. CO. Williamston, Mi. 48895 517-655-4351	
	Date: Nov. 2, 11	SCALE: None Drawn By: R.Scott
Part Name: 8oz. Tapered Oval 24-410 Neck Finish		