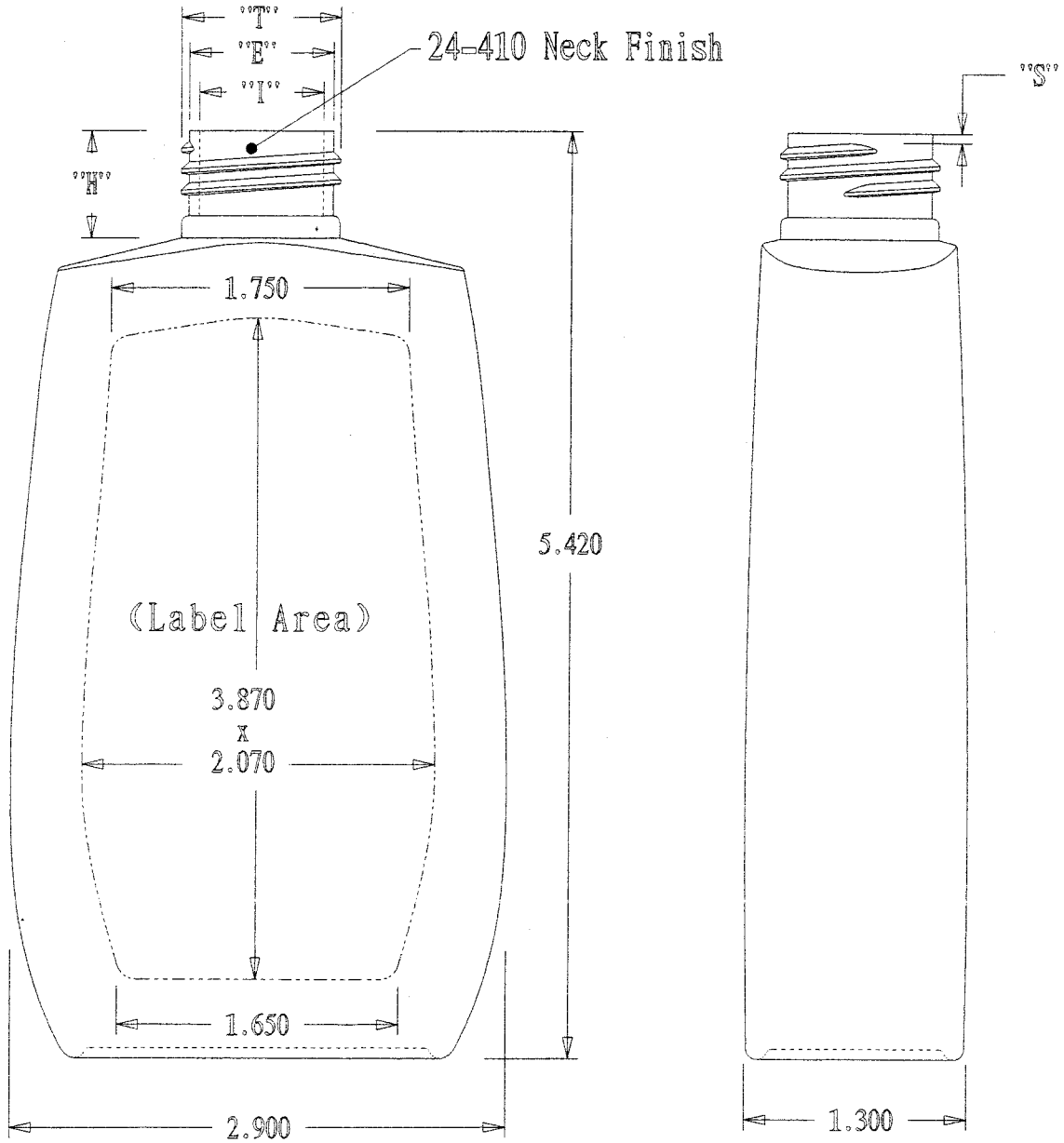


T = .924 / .940  
 E = .840 / .856  
 H = .631 / .661  
 S = .031 / .061  
 I = .516 Min.

8 Thd per inch



|  |  |                                  |
|--|--|----------------------------------|
|  | <b>R. N. FINK MFG. CO.</b><br>Williamston, Mi. 48895<br>517-655-4351 |                                  |
|  | Date: NOV. 2, 11   | SCALE: None<br>Drawn By: R.Scott |
| Part Name: 6oz. Tapered Oval<br>24-410 Neck Finish |  |                                  |