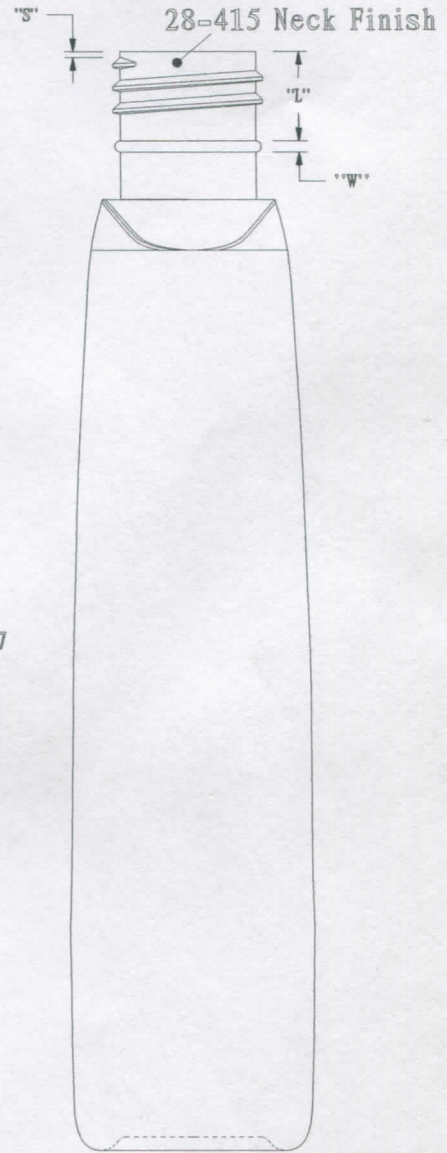
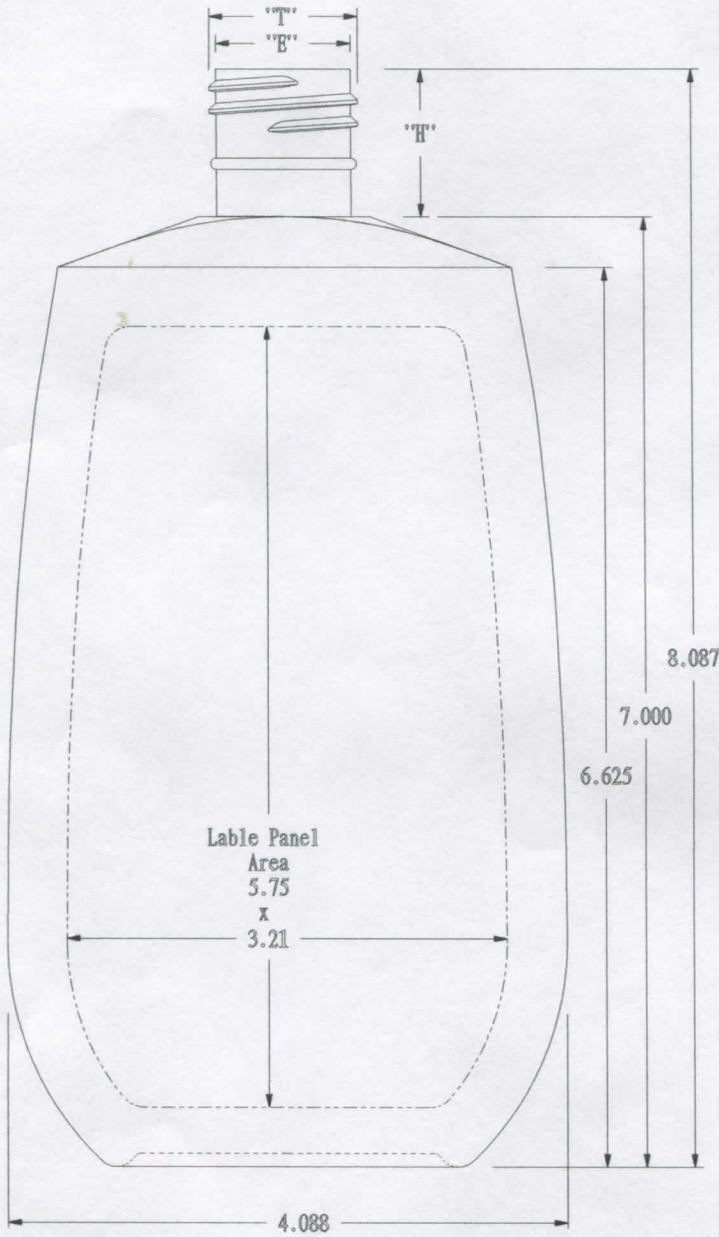


$T \approx 1.078 \begin{smallmatrix} +.010 \\ -.010 \end{smallmatrix}$
 $E \approx 0.984 \begin{smallmatrix} +.010 \\ -.010 \end{smallmatrix}$
 $H \approx 1.087 \begin{smallmatrix} +.015 \\ -.015 \end{smallmatrix}$
 $L \approx 0.464 \begin{smallmatrix} +.015 \\ -.015 \end{smallmatrix}$
 $S \approx 0.046 \begin{smallmatrix} +.015 \\ -.015 \end{smallmatrix}$
 $W \approx 0.095$
 6-TPI



	R.N.FINK MFG. CO. Williamston, Mi. 48895 517-655-4351	
	Date: 02/07/12	Rev. # 1 Drawn by: R. Scott
Part Name: 16oz. Tapered Oval 28-415 Neck Finish		