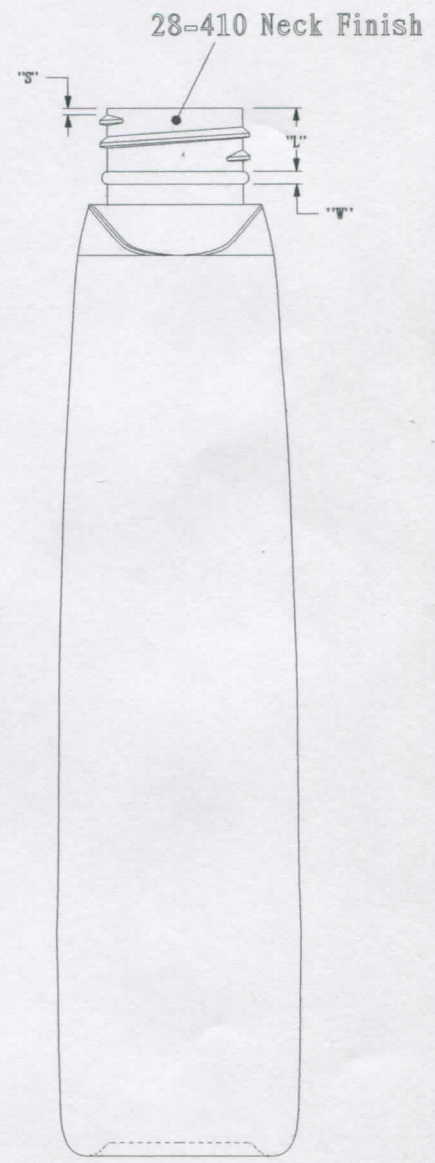
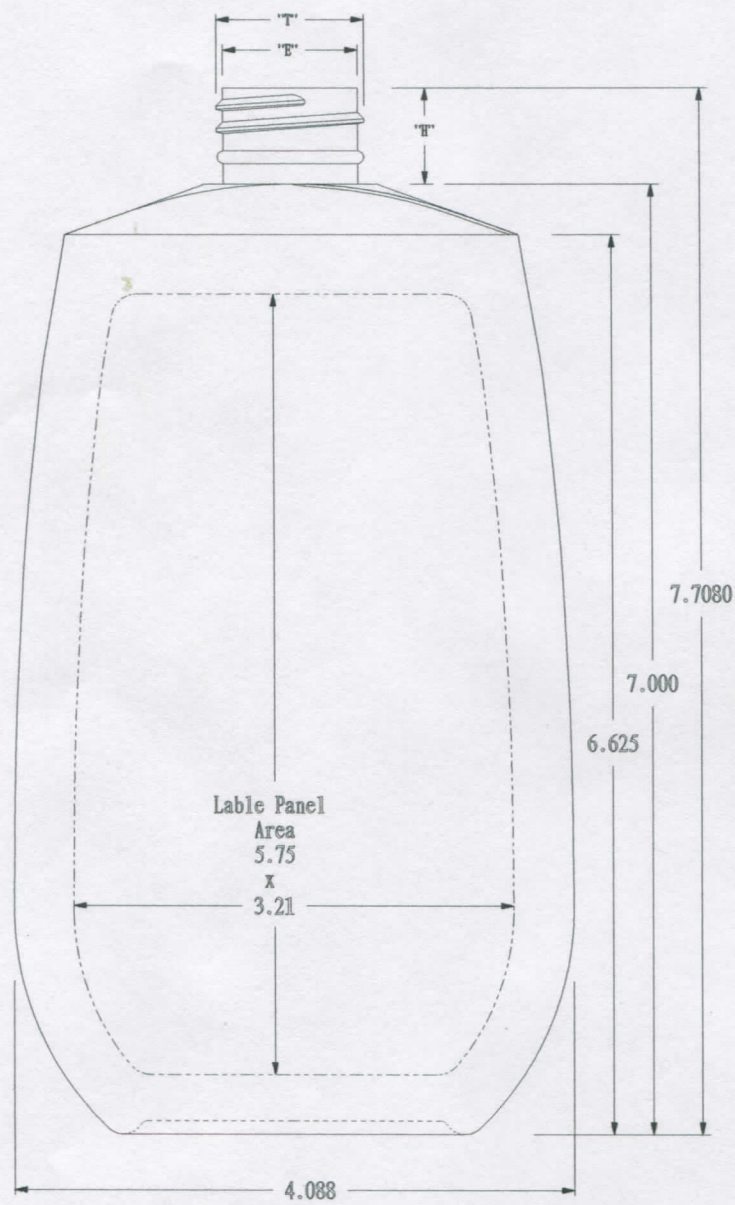


$T \approx 1.078 \pm .010$
 $E \approx 0.984 \pm .010$
 $H \approx 0.708 \pm .015$
 $L \approx 0.464 \pm .015$
 $S \approx 0.046 \pm .015$
 $W \approx 0.095$
 6-TPI



		R.N.FINK MFG. CO. Williamston, Mi. 48895 517-655-4351	
Date: 02/07/12		Rev. # 1 Drawn by: R. Scott	
Part Name:		16oz. Tapered Oval 28-410 Neck Finish	