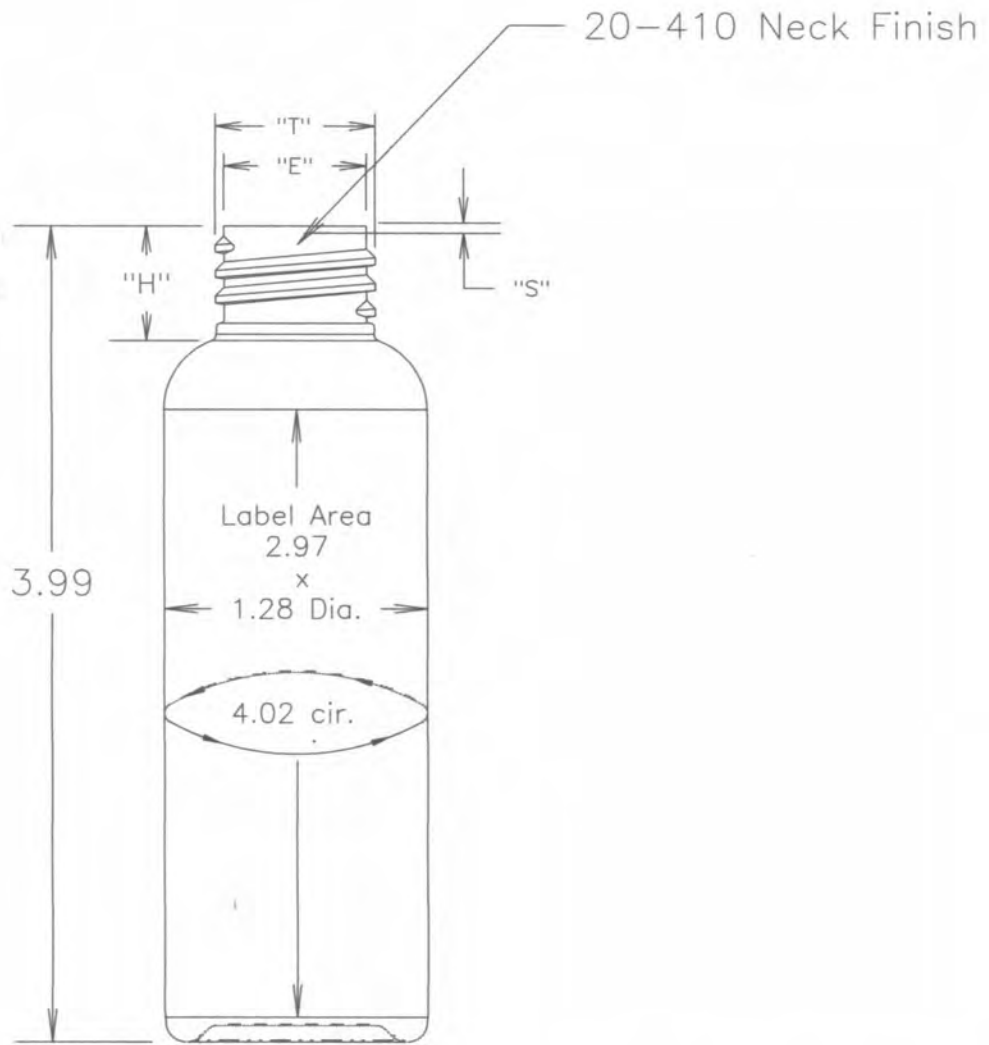



$T = .767 / .783$   
 $E = .683 / .699$   
 $H = .539 / .569$   
 $S = .022 / .052$   
 8 TPI



			R. N. FINK MFG. CO. WILLIAMSTON, MI 48895		
Date: July 30, 2016		Do Not Scale			
Weight		Grams		Drawn by: R.Scott	
Part Name:		2oz.Boston Round Tall 20-410 Neck Finish			