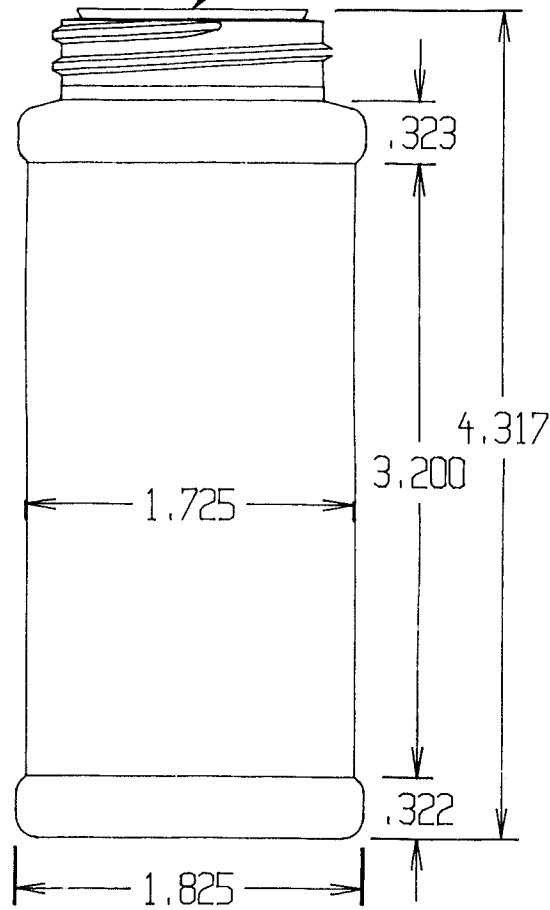
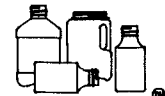


38/400 Shaker Top



	R. N. FINK MFG. CO. WILLIAMSTON, MI 48895
Date: Jan 20, 00	Scale 1/2 = 1
Weight: 14 Grams	Drawn by: S.P.
Part Name: 4 oz. Sugar Jar	