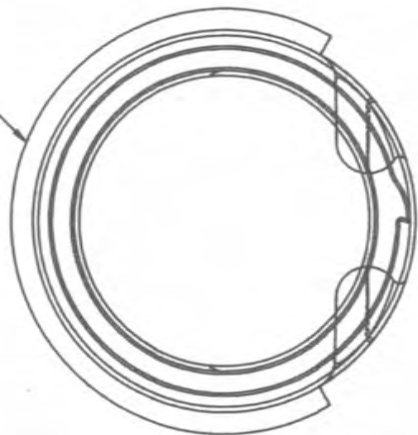
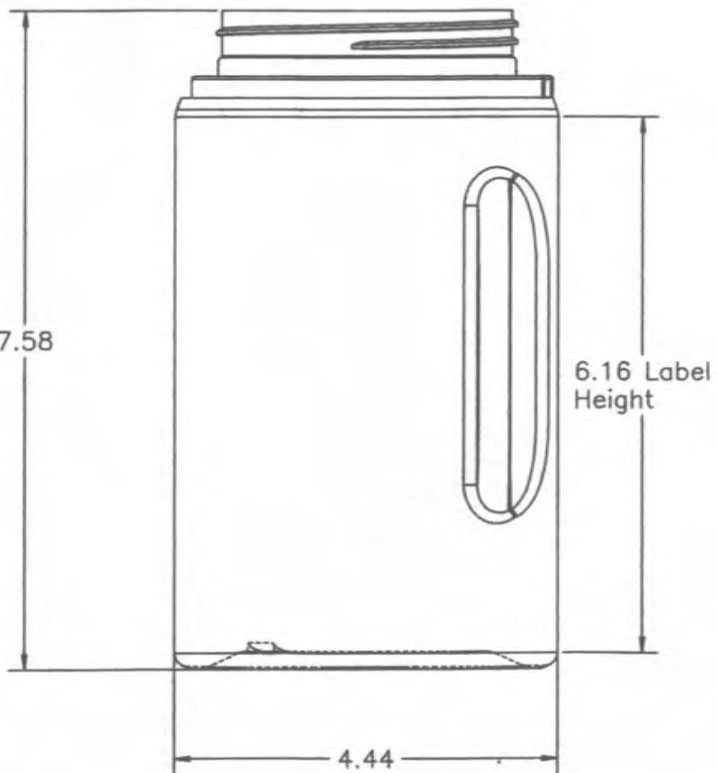


9.3 Panel Length



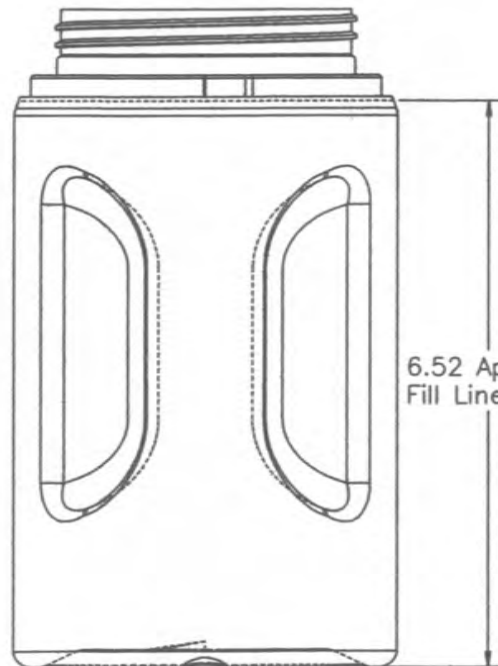
7.58



6.16 Label Height

4.44

6.52 Approx. Fill Line



		R.N. FINK MFG. CO. WILLIAMSTON, MI. 48895	
Date: Mar. 18, 2014		Scale: 1-1	
Weight: 80 Grams		Drawn By: L. Koyné	
Part Name: 1.5 Liter Grip w/69mm Squeeze Lock			