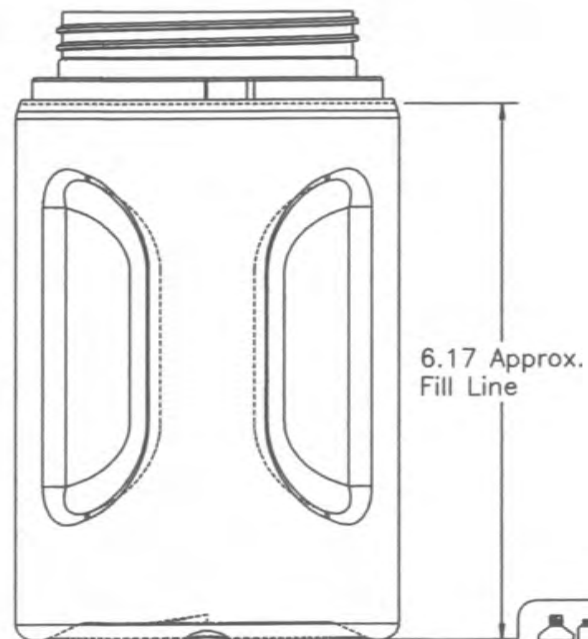
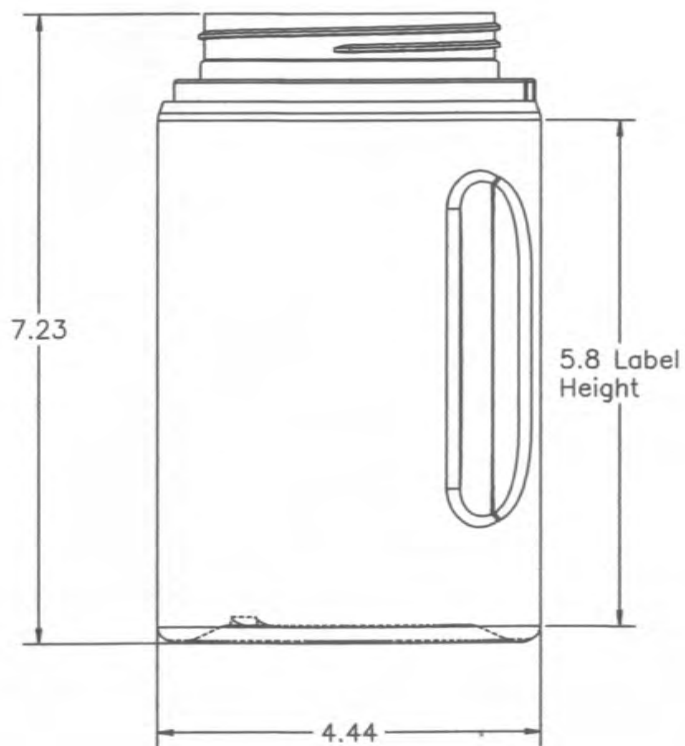
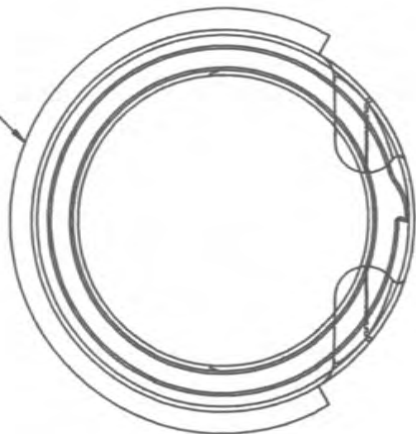


9.3 Panel Length



		<b>R.N. FINK MFG. CO.</b> WILLIAMSTON, MI. 48895	
Date: Mar. 12, 2014		Scale: 1-1	
Weight: 75 Grams		Drawn By: L. Koyns	
Part Name: 48 Oz. Grp w/60mm Squeeze Lock			