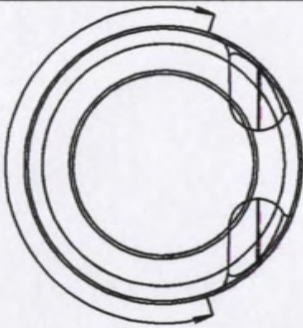


Label Width
6.83" Lay Flat



Neck Finish Dimensions:

"T" = 2.444"

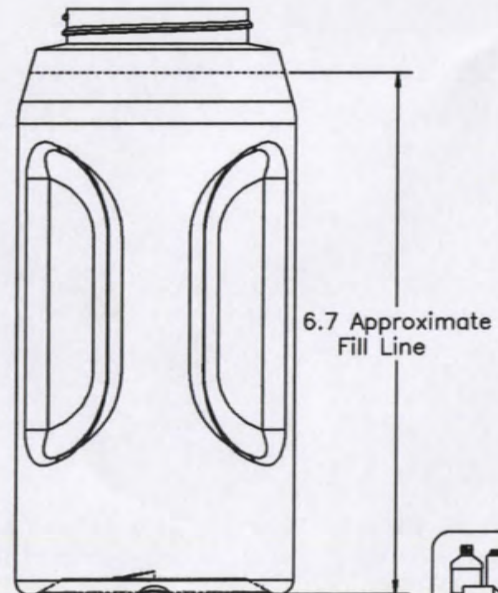
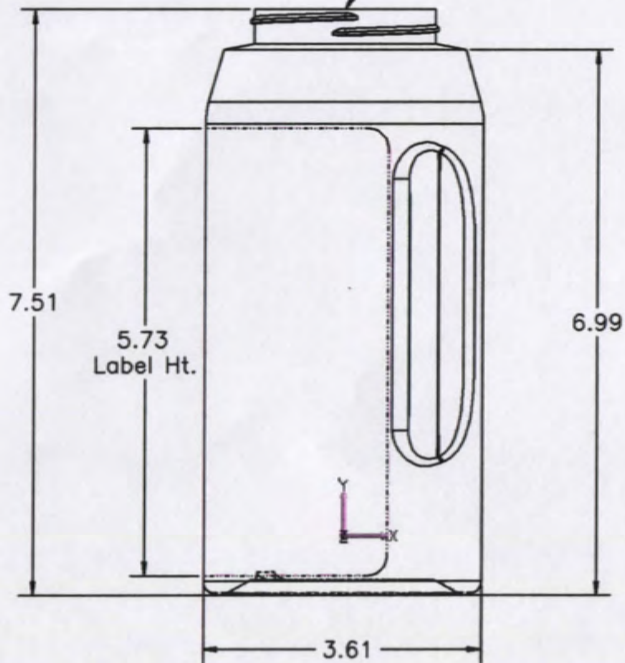
"E" = 2.35"

"S" = .046"

"H" = .448"

Total Overflow = 35.95 Oz.
(1.063 Liter)

63-400 Neck, .04" Taller "H"



	R.N. FINK MFG. CO. WILLIAMSTON, MI. 48865
Date: Feb. 5, 2014	Scale: 1-1
Weight: 60 Grams	Drawn By: L. Koyno
Part Name: 1 Liter Grip w/63-400 Neck	