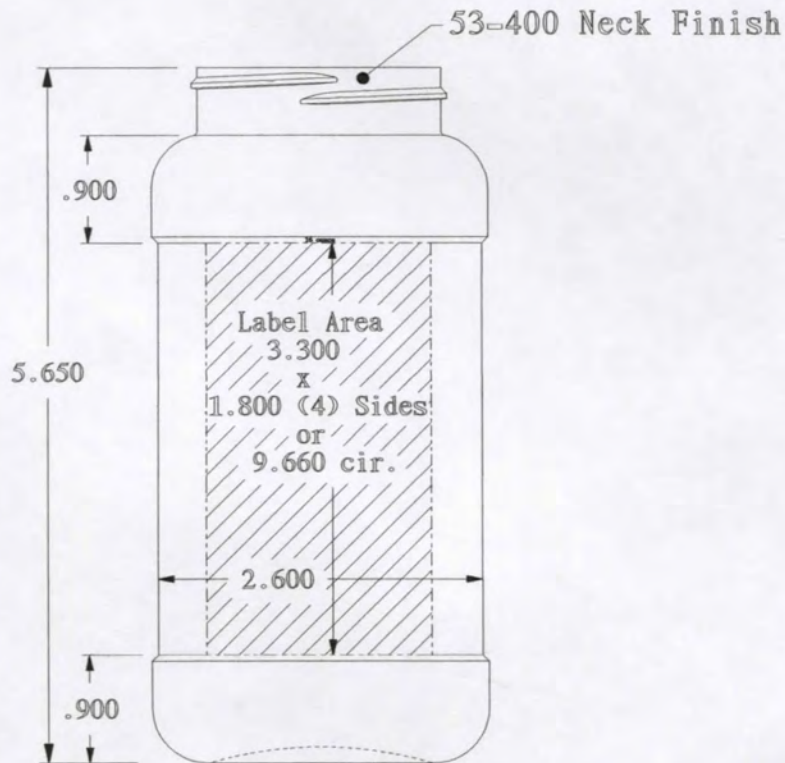


$T \approx 2.050 \begin{smallmatrix} +.017 \\ -.017 \end{smallmatrix}$
 $E \approx 1.955 \begin{smallmatrix} +.017 \\ -.017 \end{smallmatrix}$
 $H \approx 0.540 \begin{smallmatrix} +.017 \\ -.017 \end{smallmatrix}$
 $S \approx 0.045 \begin{smallmatrix} +.017 \\ -.017 \end{smallmatrix}$
 6-TPI



R. N. FINK MFG. CO.
 Williamston, Mi. 48895
 517-655-4351

Date: 02 / 16, 2015
 NOT TO SCALE
 Drawn By: R.Scott

OVERFLOW
 Part Name: 16 oz. Panel Square
 53-400 Neck Finish