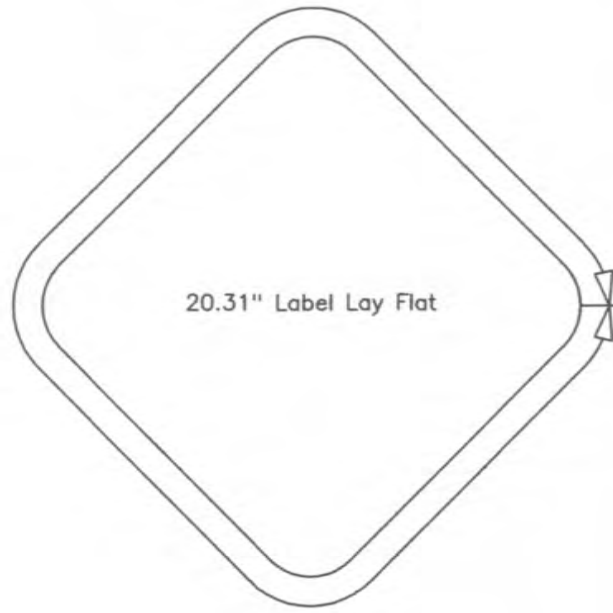
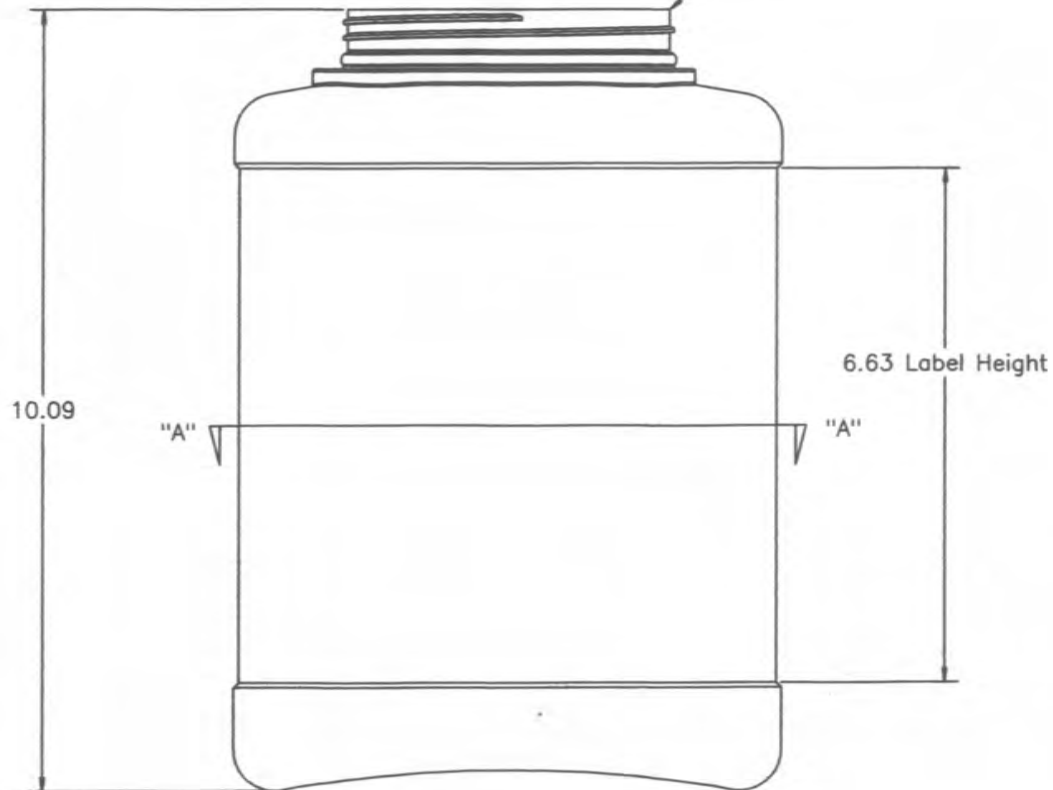



110 Squeeze Lock



Section A-A



		<b>R.N. FINK MFG. CO.</b> WILLIAMSTON, MI. 48905	
Date: 4/14/10		Scale: 1-1	
Weight: 170 Grams		Drawn By: L. Koyne	
Part Name: 4 Liter Squeeze Panel, No Handle 110 Squeeze Lock			