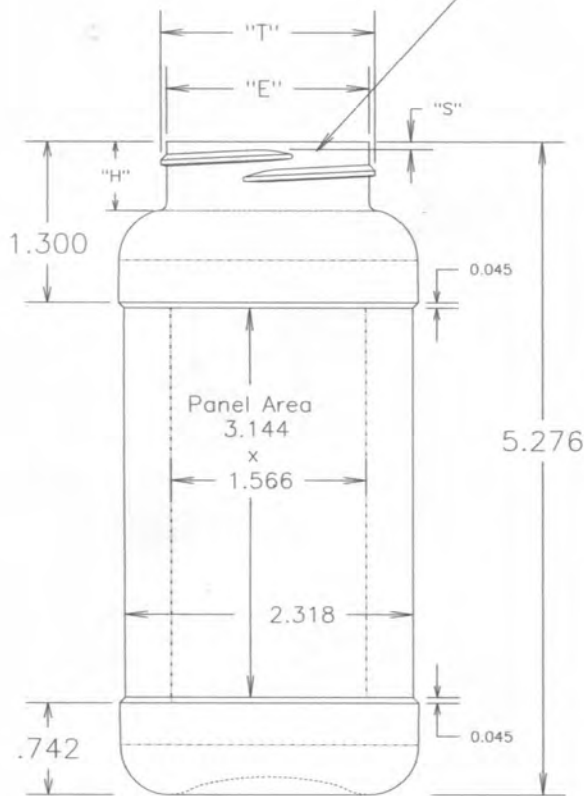



$T = 1.710 - 1.740$
 $E = 1.616 - 1.646$
 $H = 0.525 - 0.555$
 $S = 0.031 - 0.061$

6 Thd per inch

45-400 Spl "H"



	R. N. FINK MFG. CO. Williamston, Mi. 48895 517-655-4351
	Date: Jan 5, 17
Do Not Scale Drawn By: R.Scott	
Part Name: 12oz. Square Panel 45-400 Spl "H" Neck Finish	