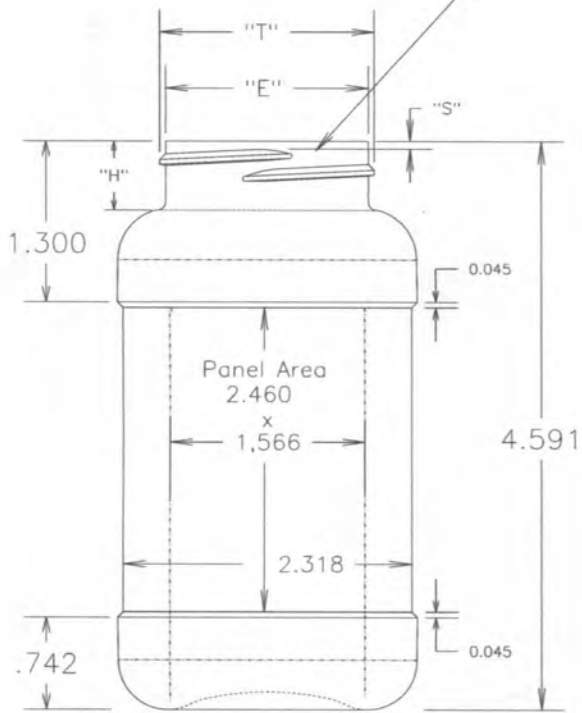


T = 1.710 - 1.740
 E = 1.616 - 1.646
 H = 0.525 - 0.555
 S = 0.031 - 0.061

6 Thd per inch

45-400 Spl "H"



R. N. FINK MFG. CO.
 Williamston, Mi. 48895
 517-655-4351

Date: Jan 5, 17

Do Not Scale

Drawn By: R.Scott

Part Name: 10oz. Square Panel
 45-400 Spl "H" Neck Finish