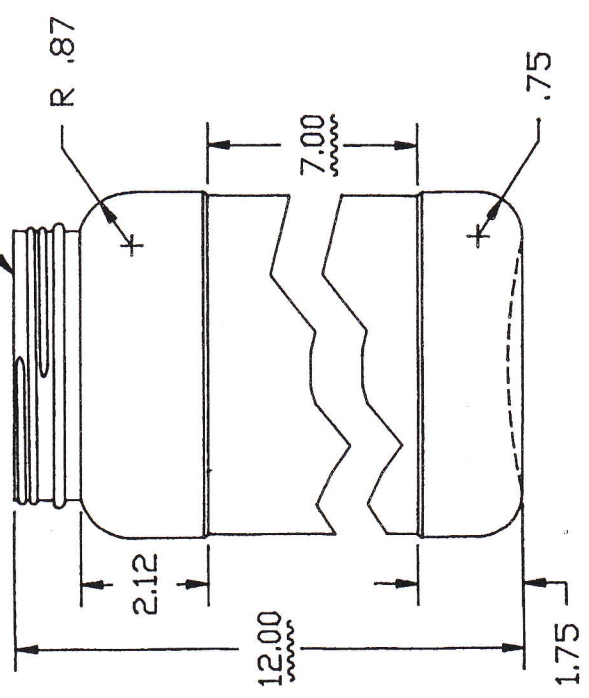
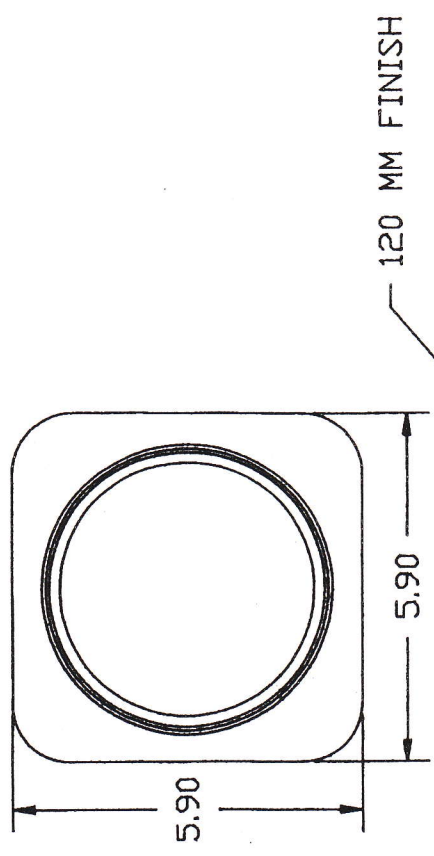


ROTATED 45 DEGREES

WEIGHT: 182 GRAMS



R. N. FINK MFG. CO.
WILUONSTON, MI.

Date: MAR 29, 93 Drawn By: S. P.

Part 1.5 Gal Panel Square SCALE
Name: 1/2-1