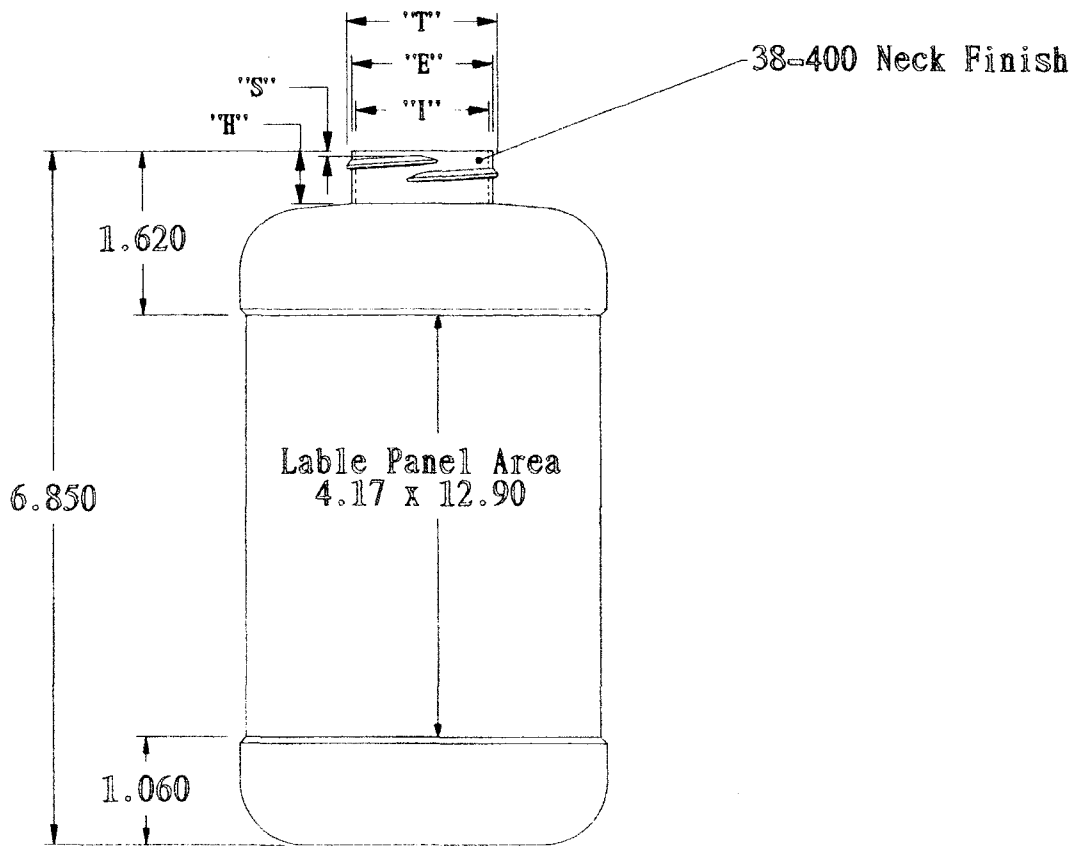


"T" = 1.464 \pm .012
 "E" = 1.370 \pm .012
 "H" = 0.520 \pm .015
 "I" = 0.987 Min.
 "S" = 0.046 \pm .015
 "T.P.I." = 6 (.167)



Overflow: 37.5 oz. \pm 10%
 All Untoleranced Dimensions \pm .060

	R. N. FINK MFG. CO. Williamston, Mi. 48895 517-655-4351	
	Date: Oct 5, 2011	Rev. # 2 Drawn By: R.Scott
Part Name:	1 Liter Panel Square 38-400 Neck Finish	