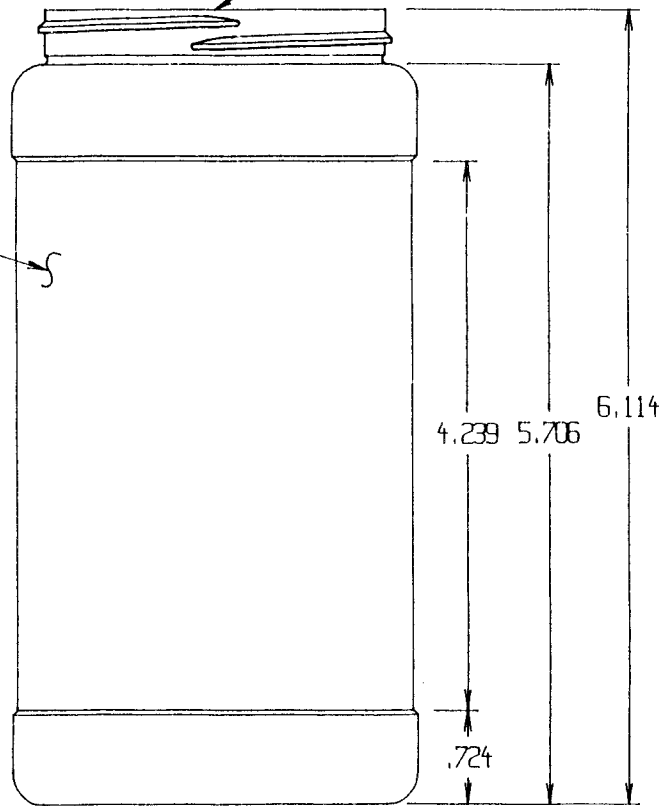



Label Area: 4.23 X 9.59



	A. N. FINK MFG. CO. Williamston, Mi. 48895 517-655-4351	
	Date: Oct 10. 00	Scale 1=1 Drawn By: S. P.
Part Name: 22oz Panel Jar		