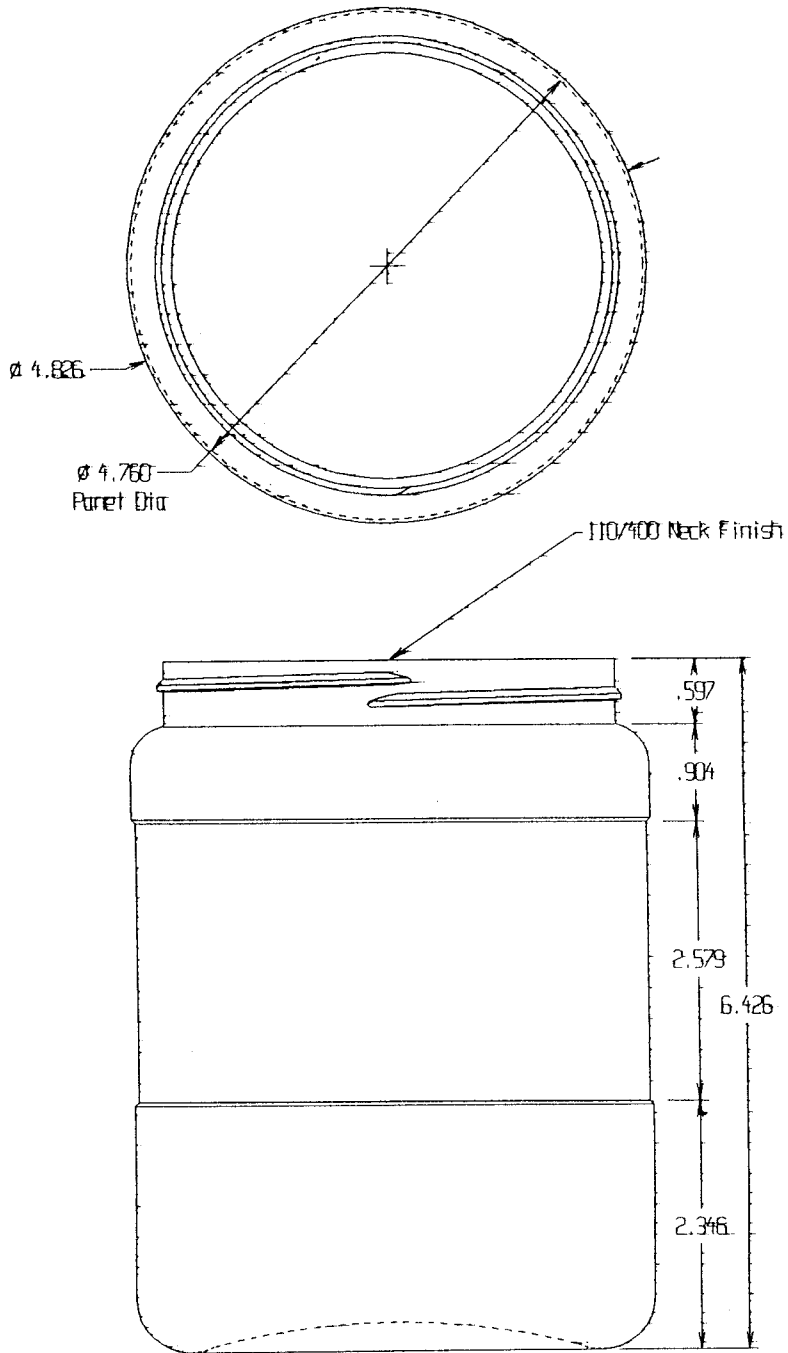



X
Y



Overflow 58.5oz

1.5 LTR 550Z

	A. N. FINK MFG. CO. Williamston, Mi. 48895 517-875-4351
Date: July 17, 00	Scale 1:1
Drawn By: SP	
Part Jar with Parafilm	
Name: 110-400 Neck Finish	