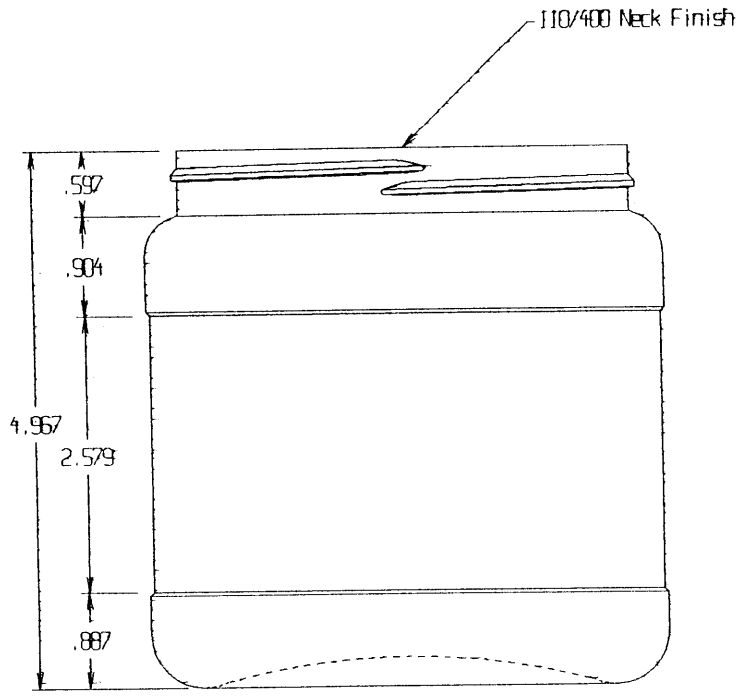
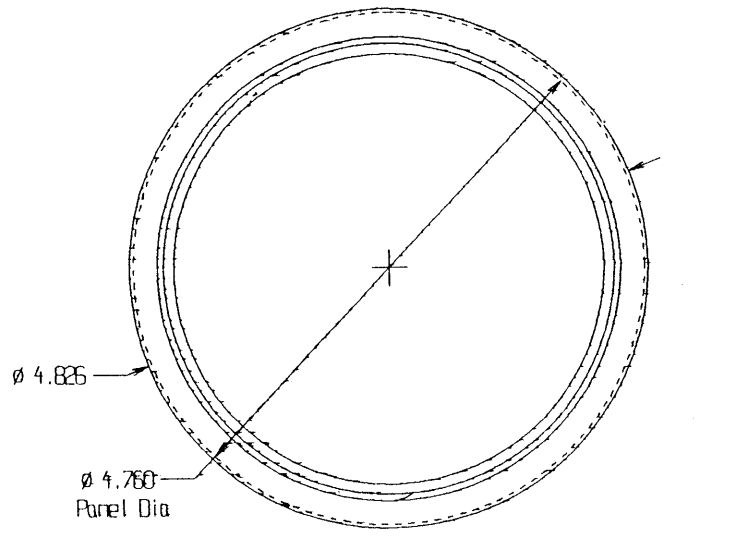


X  
Y



Overflow 45.2oz

	<b>A. N. FINK MFG. CO.</b> Williamston, Mi. 48895 517-655-4351	
	Date: July 11, 00	Scale 1=1 Drawn By: SP
Part Jar with Panel 1.25 LTR		
Name: 110-400 Neck Finish		