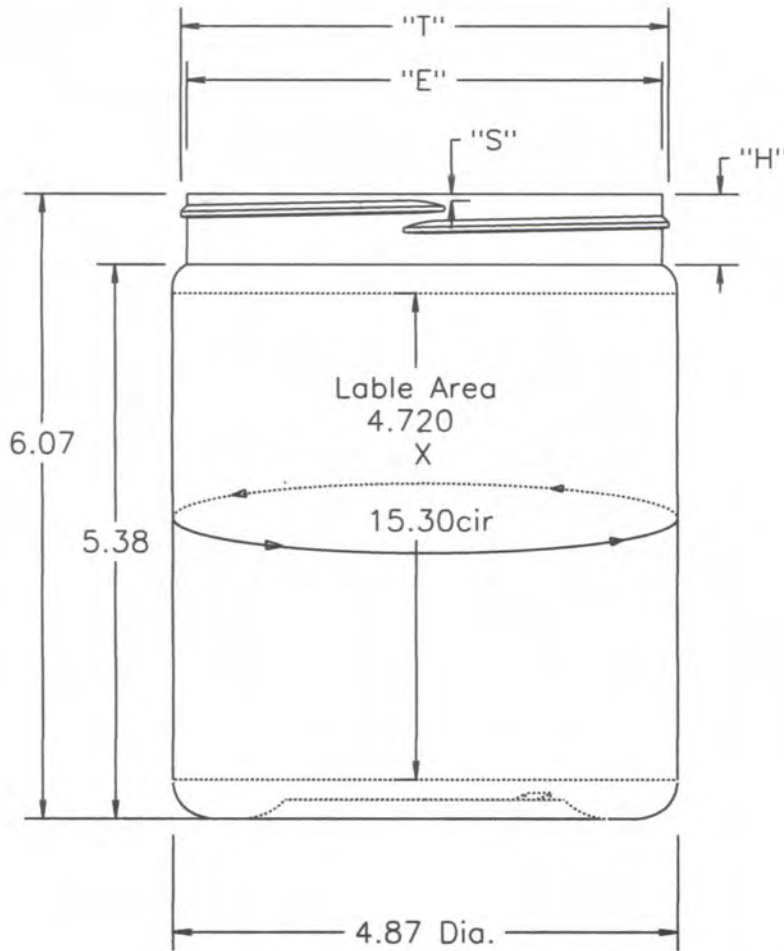



"T" = 4.724 / 4.689
 "E" = 4.604 / 4.569
 "H" = 0.700 / 0.670
 "S" = 0.075 / 0.045
 "5" T.P.I.

120-400
 Neck Finish



	R.N. FINK MFG. CO. Williamston, Mi 48895		
	Date: 08/07/2019	DO NOT SCALE	
Weight:	Grams	Drawn By: R.Scott	
Part Name: 1.5 Liter Packer 120-400 Neck Finish			