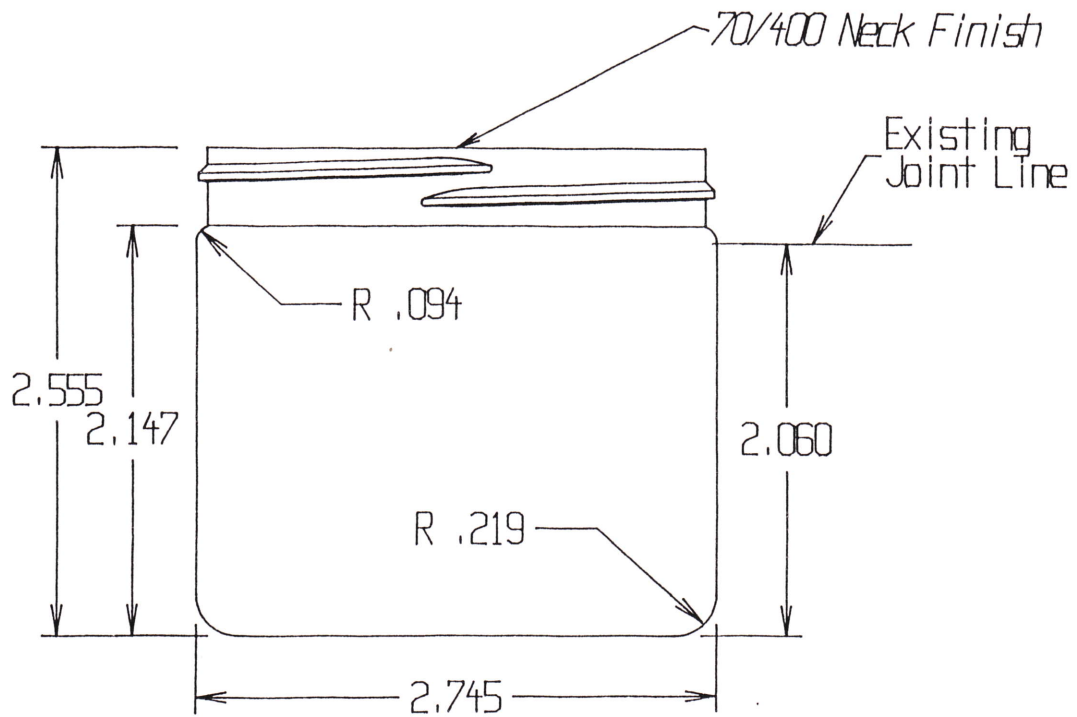


Overflow = 7.649 oz.



	<p>R. N. FINK MFG. CO. WILLIAMSTON, MI 48895</p>
<p>Date: June 25, 98</p>	<p>Scale 1=1</p>
<p>Weight: TBD Grams</p>	<p>Drawn by: S.P.</p>
<p>Part Name: 6 oz. Cylinder with 70/400 Neck Finish</p>	