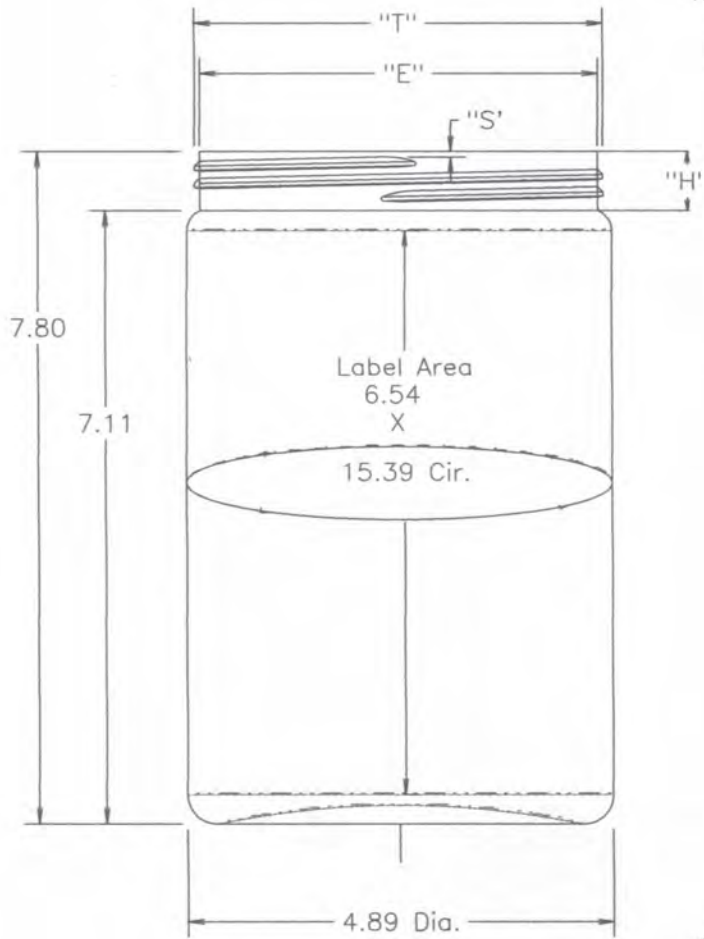



"T" = 4.724 - 4.689
 "E" = 1.604 - 4.569
 "H" = 0.700 - 0.670
 "S" = 0.075 - 0.045
 5 - TPI



	R. N. FINK MFG. CO. Williamston, Mi. 48895 517-655-4351	
	Date: Aug 17, 2017	Do Not Scale Drawn By: R. Scott
Part Name:	2 Liter SS Jar 120-400 Neck Finish	

OVERFLOW =