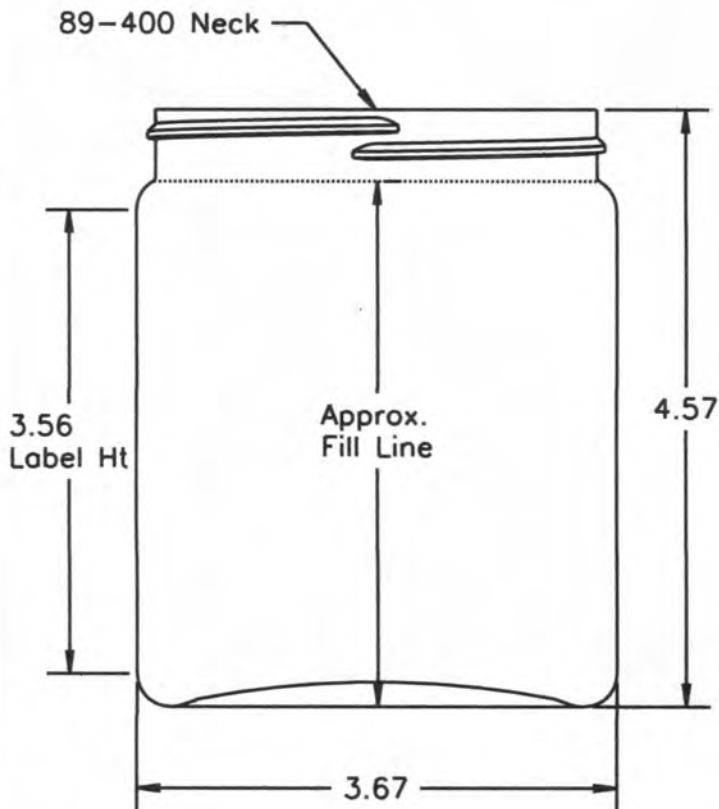



11.53
Label Lay Flat



Total Overflow=24.7 Oz

	R.N. FINK MFG CO. WILLIAMSTON, MI. 48895
DATE: 6/8/16	
WEIGHT: 38 GRAMS	DRAWN BY: L Koyne
PART: 22 OZ S.S. JAR 89-400 NECK	