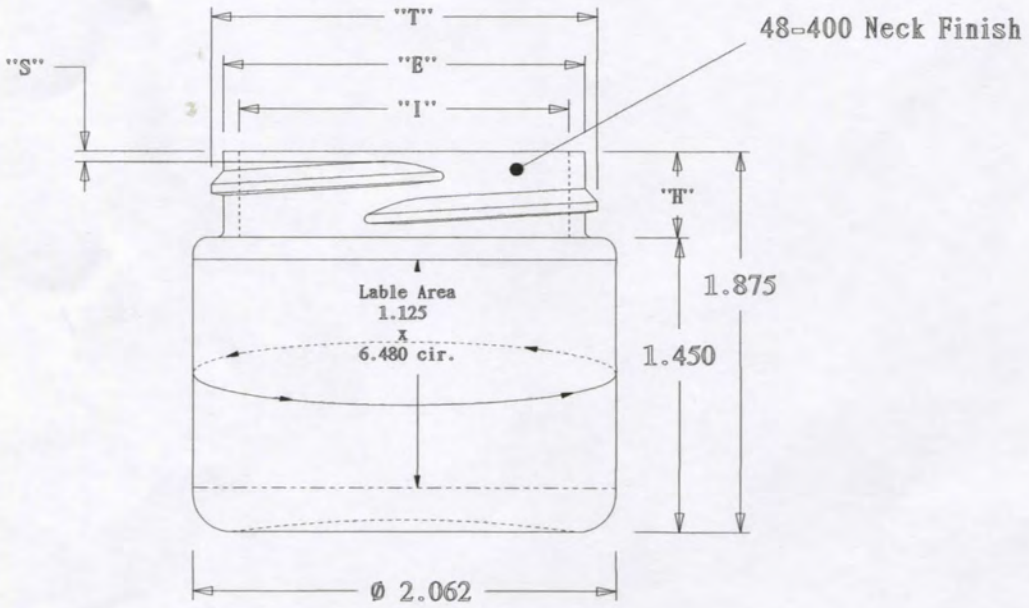



T = 1.840 / 1.870  
 E = 1.746 / 1.776  
 H = 0.388 / 0.418  
 S = 0.031 / 0.061  
 I = 1.381 Min.  
 6 Thd per inch



Material:		R. N. FINK MFG. CO. Williamston, Mi. 48895 517-655-4351	
		Weight:	Date: Sept 13, 2013
Overflow:	Part Name:	2oz. Jar 48-400 Neck Finish	