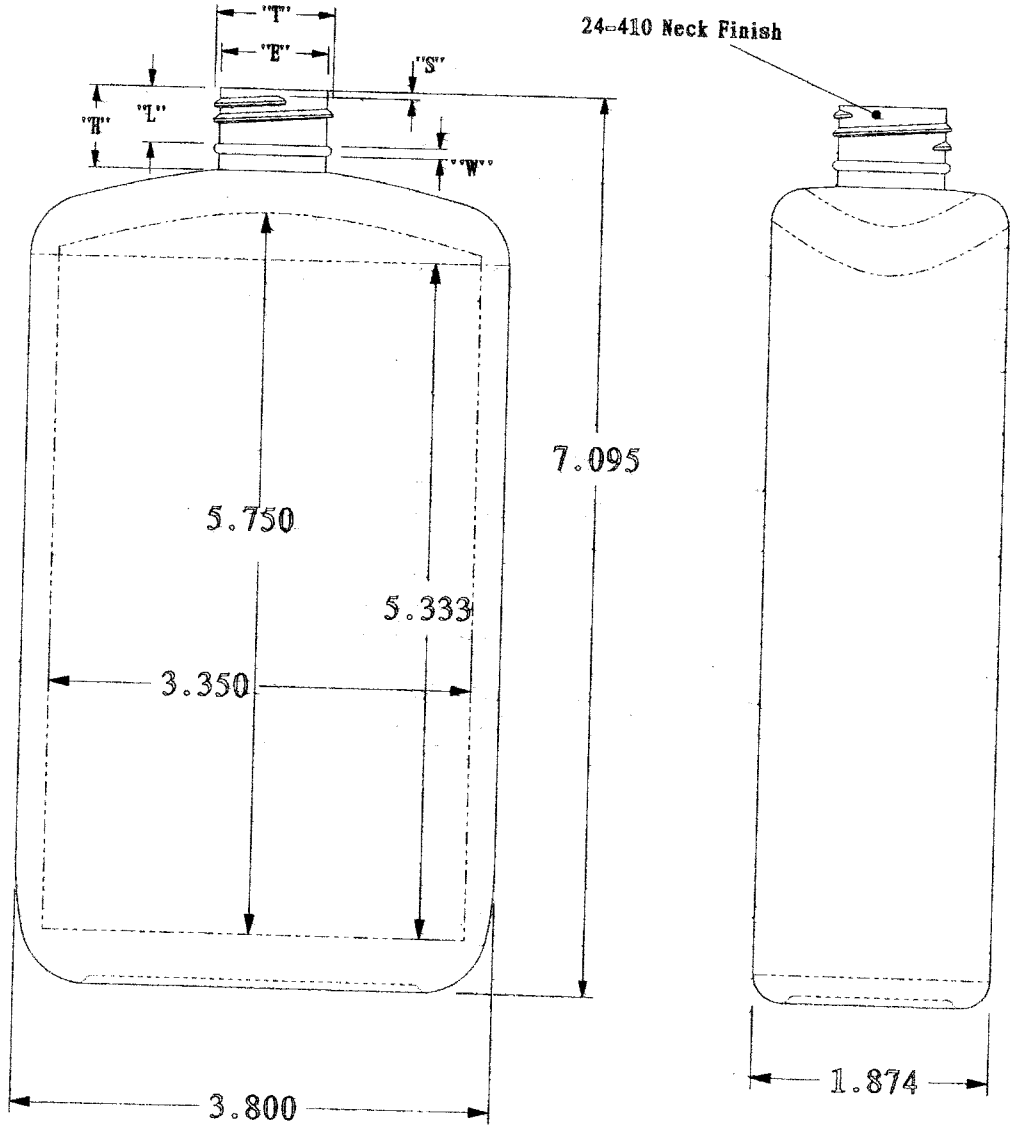
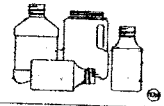


Neck Finish Dimensions:

T = .940 - .924
 E = .856 - .840
 H = .661 - .631
 L = .437
 S = .061 - .031
 W = .084
 TPI = 8



		R. N. FINK MFG. CO. WILLIAMSTON, MI 48895	
Date: Nov. 05, 2010		Rev. #2	
Weight: 35 Grams		Drawn by: R.Scott	
Part Name:		16 oz. Flat Oval 24-410 Neck Finish	