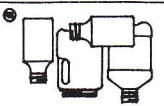
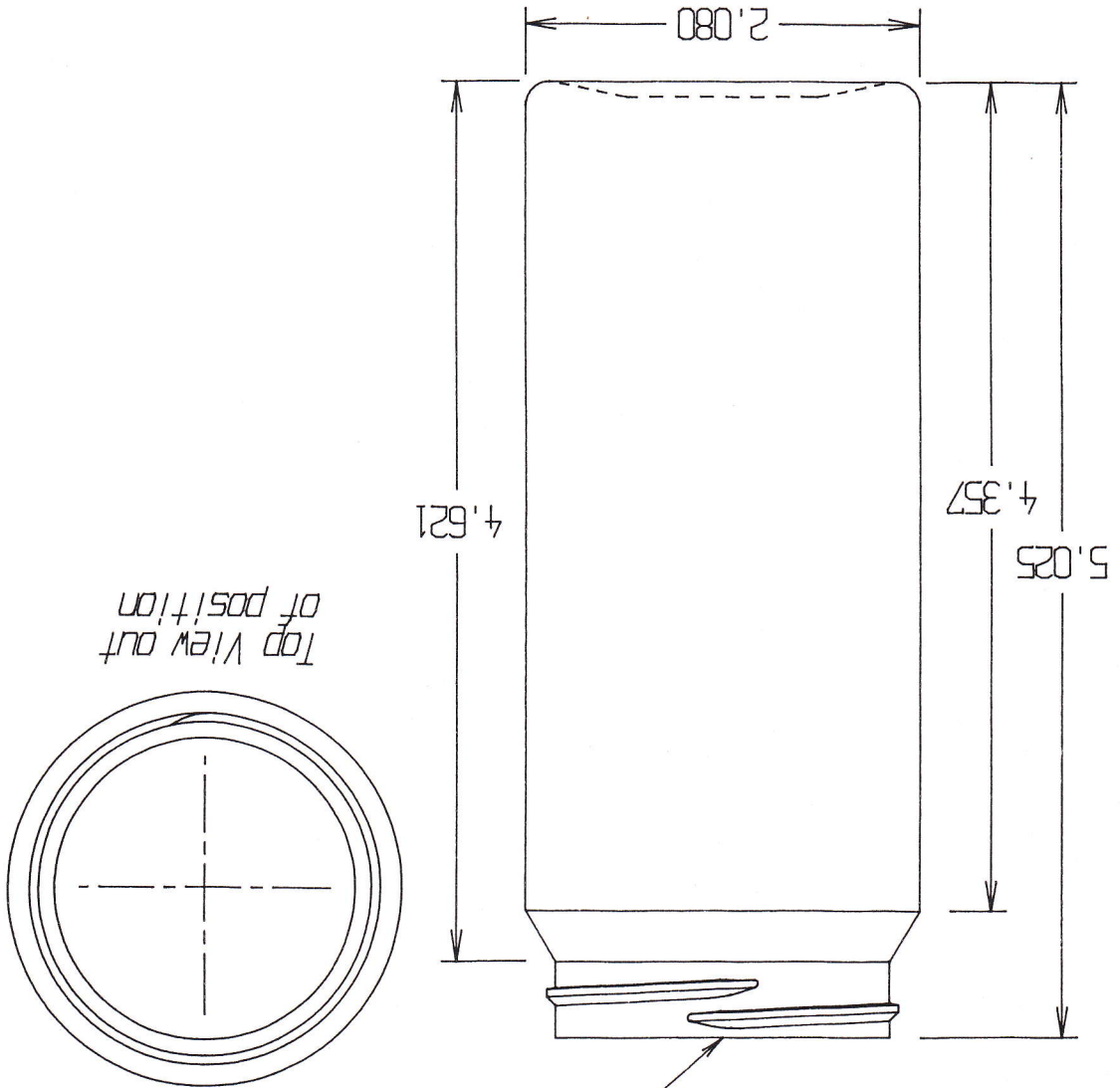


Part Name: 8 oz. Cylinder (Heavy Wall)	
Weight: 180 grams	Drawn by: S.P.
Date: Apr 1, 98	Scale: 1=1
	
R. N. FINK MFG. CO. WILLIAMSTON, MI 48895	



48-400 NECK FINISH