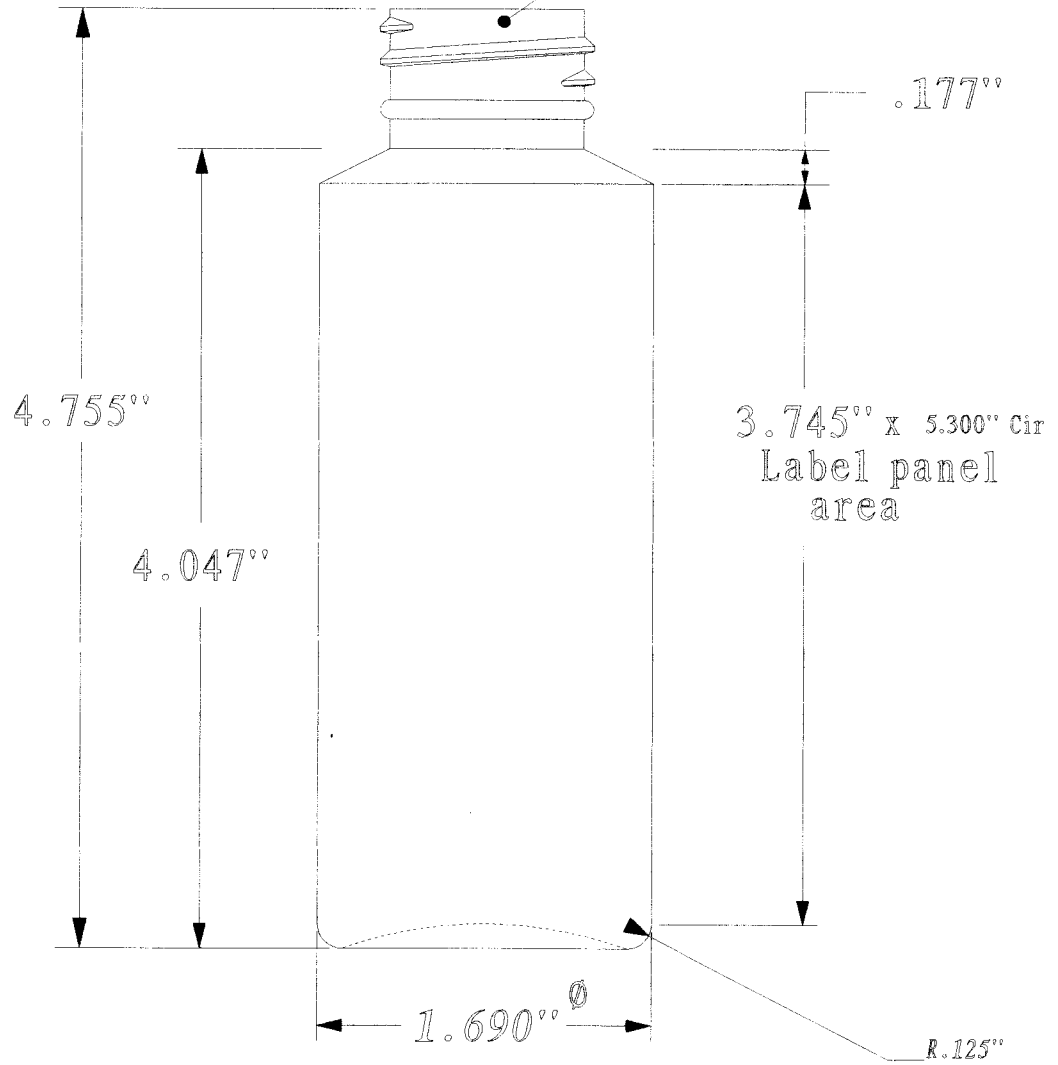
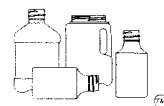


28/410 Neck Finish



	R. N. FINK MFG. CO. WILLIAMSTON, MI 48895	
Date:	July 08, 07	Scale 1 =
Weight:	Grams	Drawn by: R.A.S.
Part Name:	4 oz. S.S. 28/410 Neck Finish	