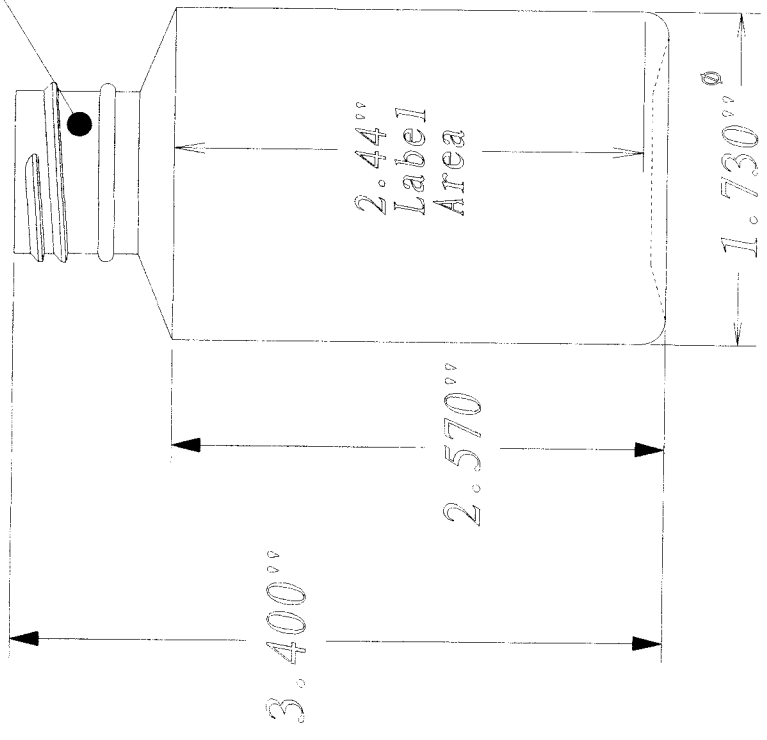


24/410 Neck Finish



Label Area: 2.44" X 5.43"

	R. N. FINK MFG. CO. WILLIAMSTON, MI 48895	
Date: June 28, 07	Scale 1 =	
Weight: TBD Grams Drawn by: R.A.S.		
Part Name: 3 oz. Jar with 24/410 Neck Finish		