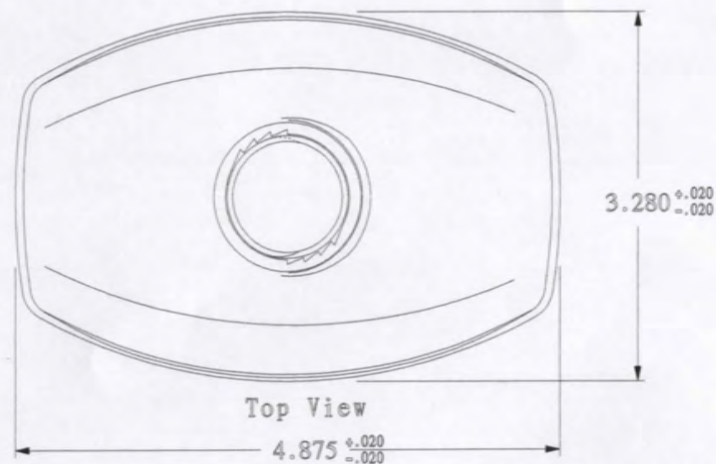
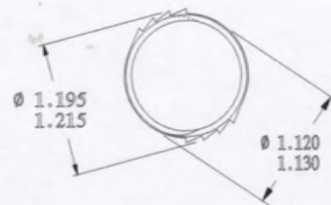
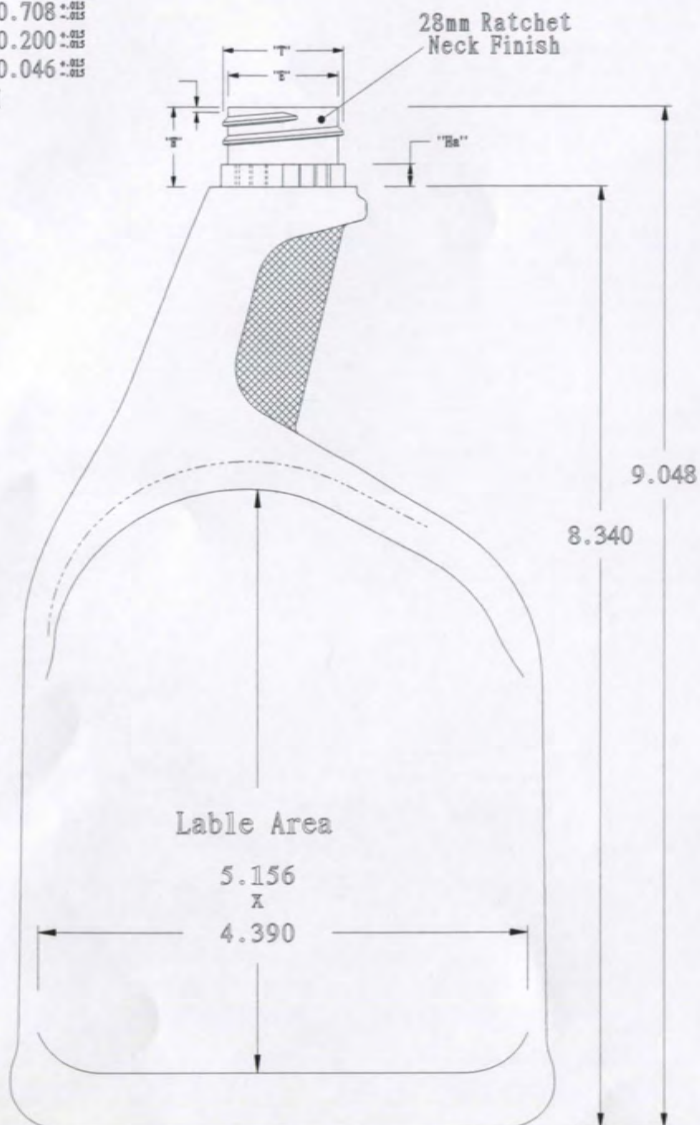



"T" = 1.078  $\pm$  .010  
 "E" = 0.984  $\pm$  .010  
 "H" = 0.708  $\pm$  .015  
 "Ha" = 0.200  $\pm$  .015  
 "S" = 0.046  $\pm$  .015  
 6-TPI



		R. N. FINK MFG. CO. WILLIAMSTON, MI 48895	
Date:	July 02, 2014	DoNot Scale	
Weight:		Drawn by: R.Scott	
Part Name:	32 oz. Sprayer 28mm Ratchet Neck Finish		