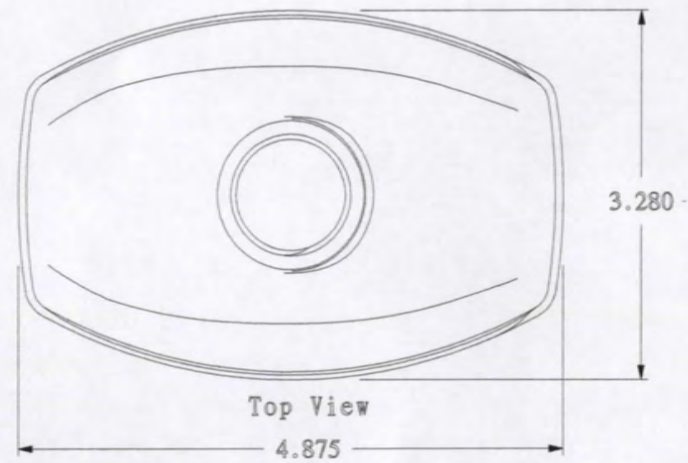
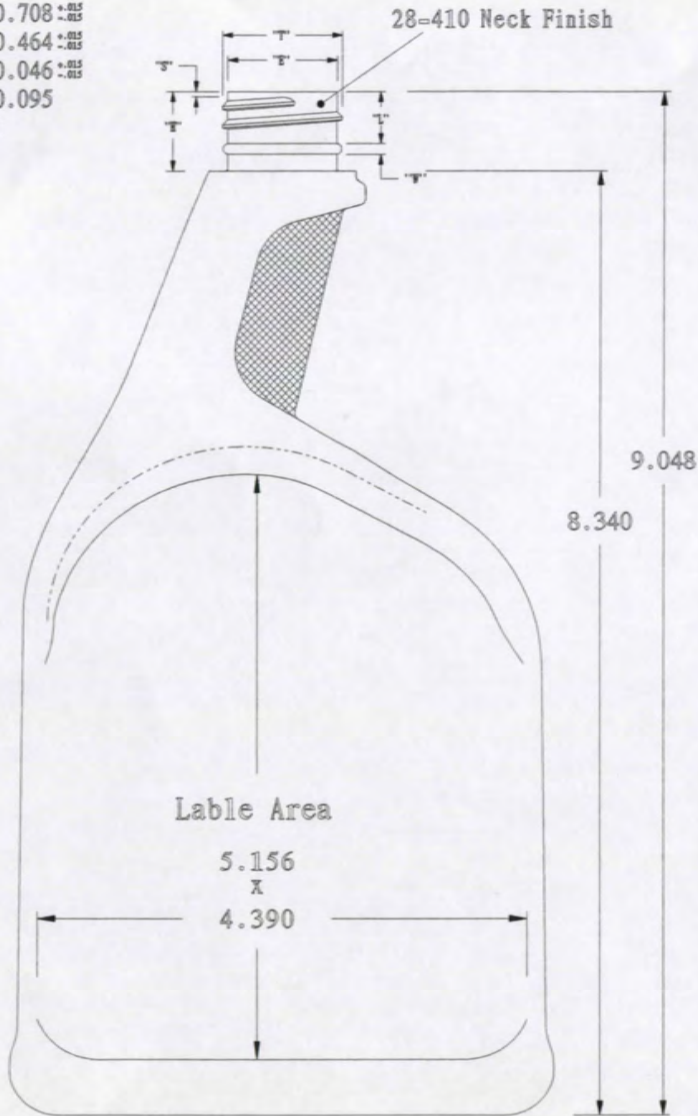
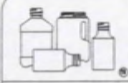


"T" = 1.078 <sup>±.010</sup>  
 "E" = 0.984 <sup>±.010</sup>  
 "H" = 0.708 <sup>±.015</sup>  
 "L" = 0.464 <sup>±.015</sup>  
 "S" = 0.046 <sup>±.015</sup>  
 "W" = 0.095  
 6=TPI



		R. N. FINK MFG. CO. WILLIAMSTON, MI 48895	
Date:	Jun 06, 2014	DoNot Scale	
Weight:		Drawn by:	R.Scott
Part Name:	32 oz. Sprayer 28-410 Neck Finish		