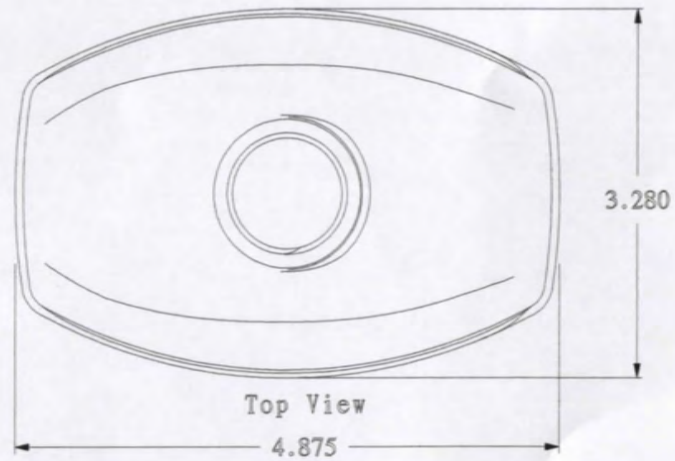
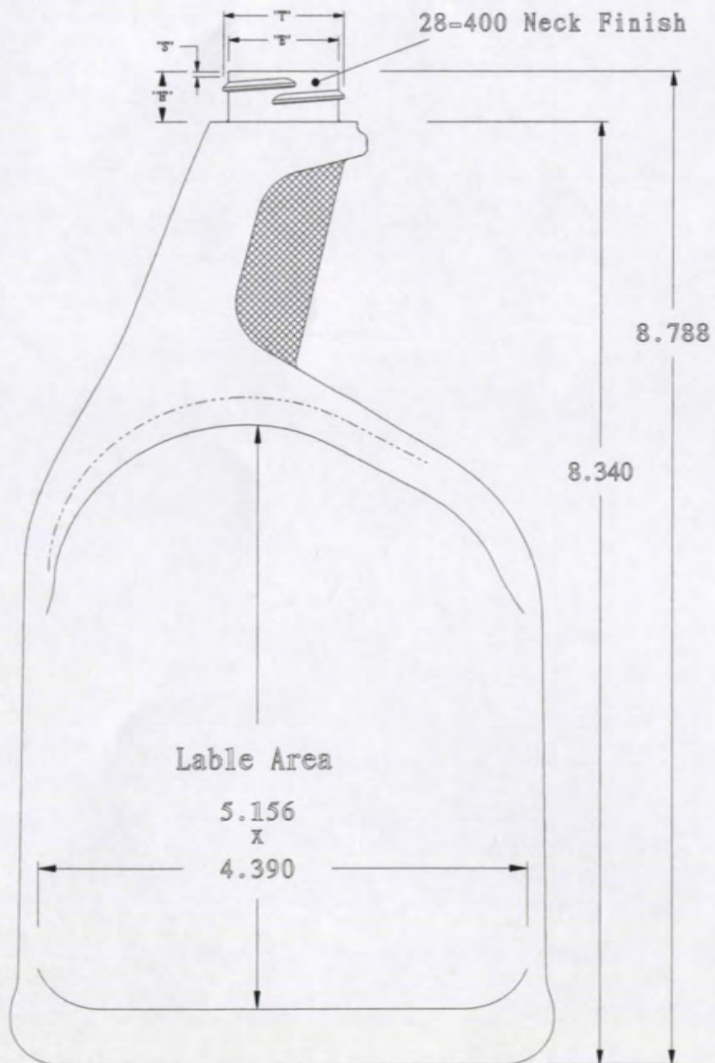


"T" \equiv 1.078 \pm 0.010
 "E" \equiv 0.984 \pm 0.010
 "H" \equiv 0.445 \pm 0.015
 "S" \equiv 0.046 \pm 0.015
 6-TPI



R. N. PINK MFG. CO.
 WILLIAMSTON, MI
 48895

Date: July 02, 2014	DoNot Scale
Weight:	Drawn by: R.Scott
Part Name: 32 oz. Sprayer	
	28-400 Neck Finish