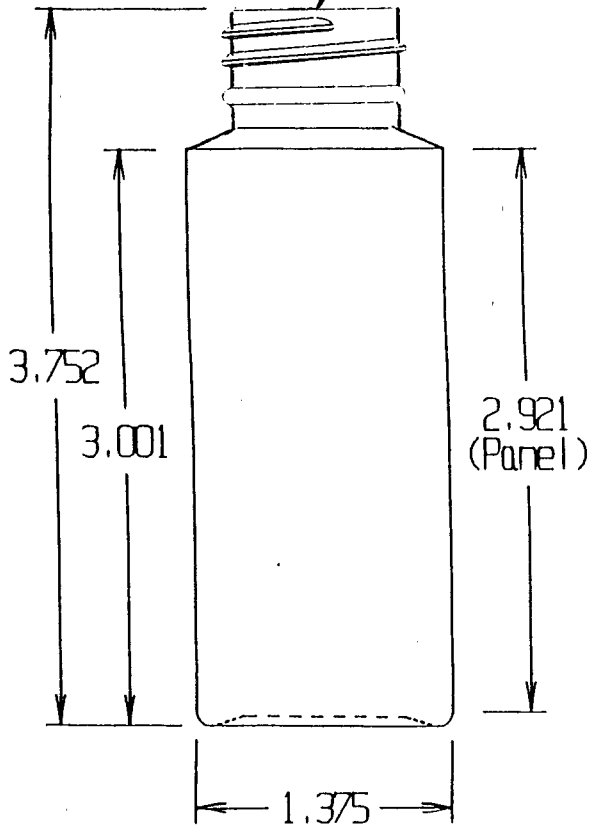


28/410 Neck Finish



Panel Area: 2.92H X 4.31



R. N. FINK MFG. CO.
WILLIAMSTON, MI
48895

Date: Jun 26, 01

Scale 1=1

Weight: TBD Grams

Drawn by: S.P.

Part Name: 2 oz Straight Side Cylinder
with 28/410 Neck Finish