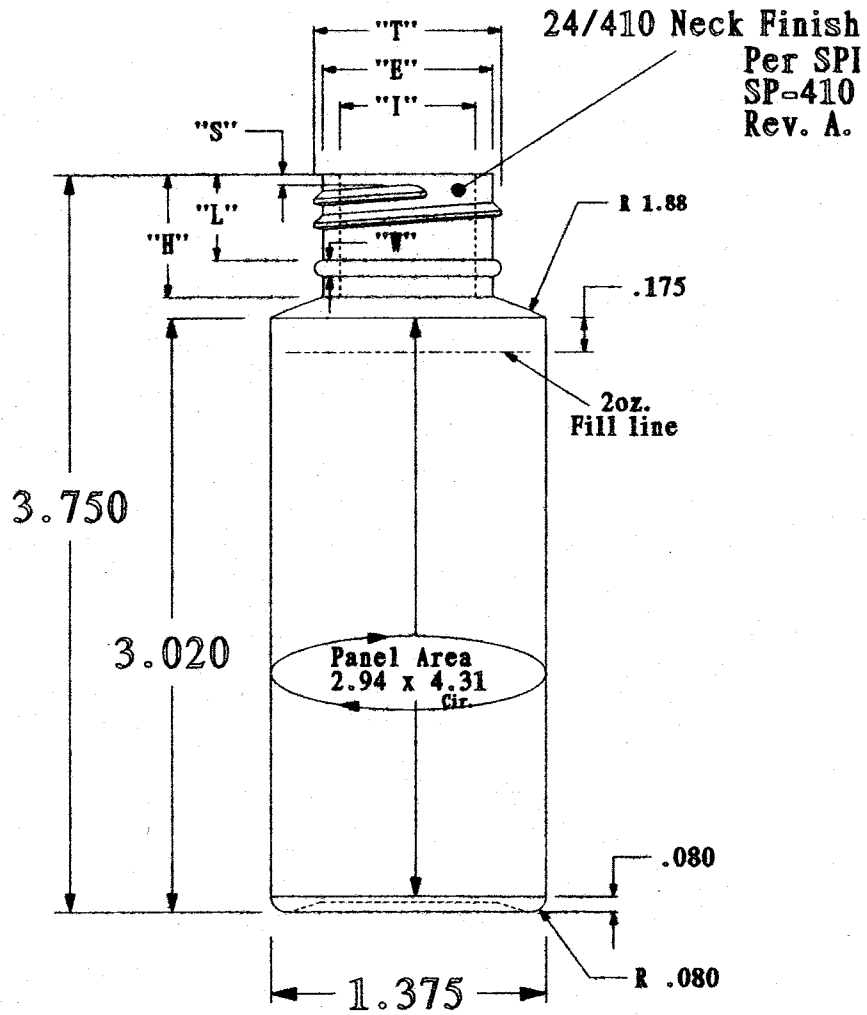
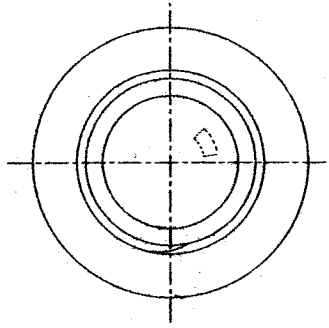


Neck Finish Dimensions:

T ≅ .940 / .924
 E ≅ .856 / .840
 H ≅ .661 / .631
 L ≅ .437 Min.
 S ≅ .061 / .031
 I ≅ .516 Min.
 W ≅ .084 Max.
 TPI 8



	R. N. FINK MFG. CO. WILLIAMSTON, MI 48895	
	Date: April 29, 2010	Rev.# 2
Weight: 10 Grams	Drawn by: R.Scott	
Part Name: 2 oz Straight Side Cylinder with 24/410 Neck Finish		
Drawing #	02052PN	

Min. Inside Depth	≅ (3.550")
Min. Wall Thickness	≅ (.010")
Over Flow	≅ 2.4oz. ± 10%
Material:	≅ HDPE 75% PCR