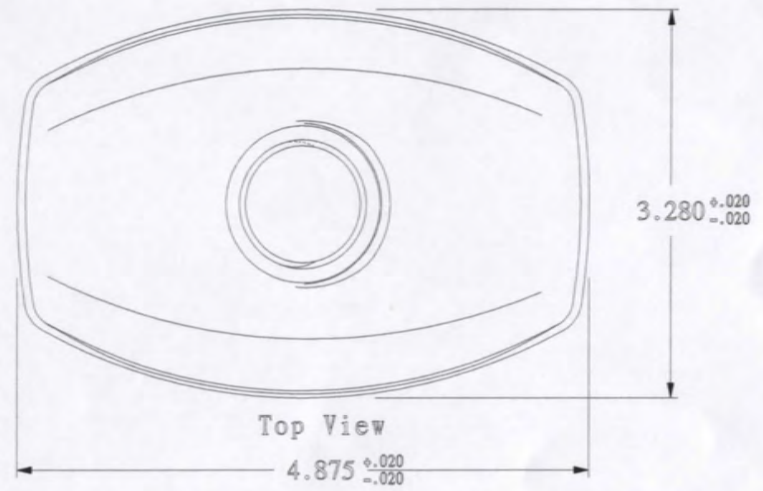
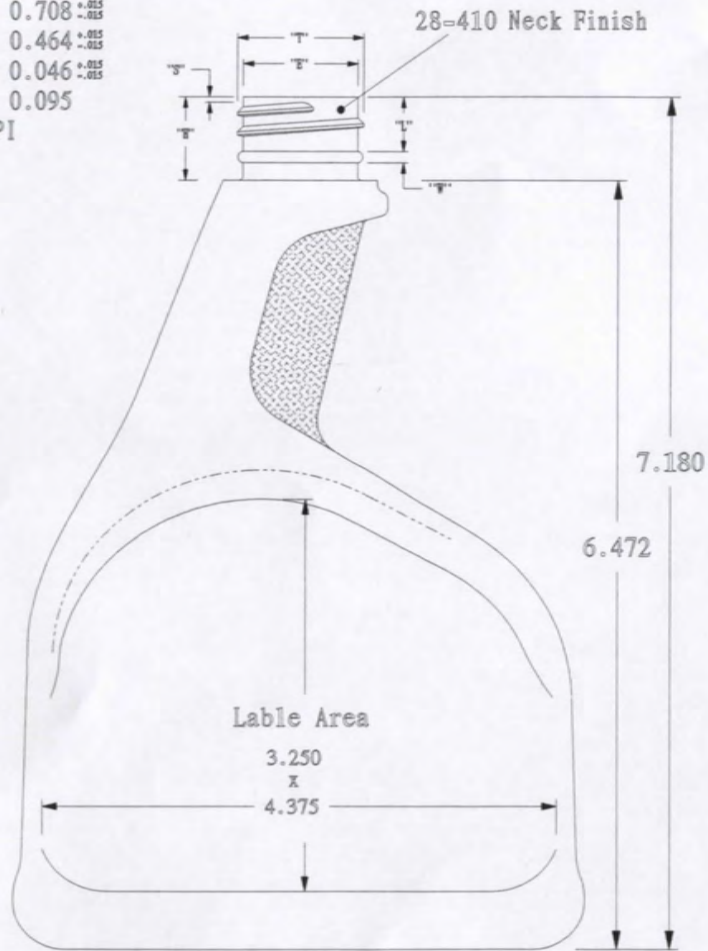



"T" = 1.078 ^{+0.010}
 "E" = 0.984 ^{+0.010}
 "H" = 0.708 ^{+0.015}
 "L" = 0.464 ^{+0.015}
 "S" = 0.046 ^{+0.015}
 "W" = 0.095 ^{+0.015}
 6-TPI



		R. N. FINK MFG. CO. WILLIAMSTON, MI 48895	
Date:	July 02, 2014	DoNot Scale	
Weight:		Drawn by: R.Scott	
Part Name:	22 oz. Sprayer 28-410 Neck Finish		