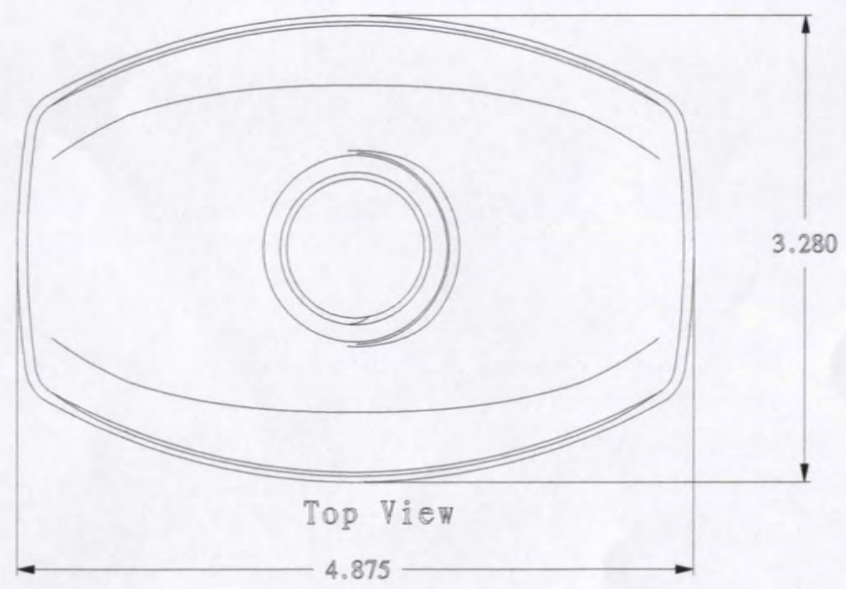
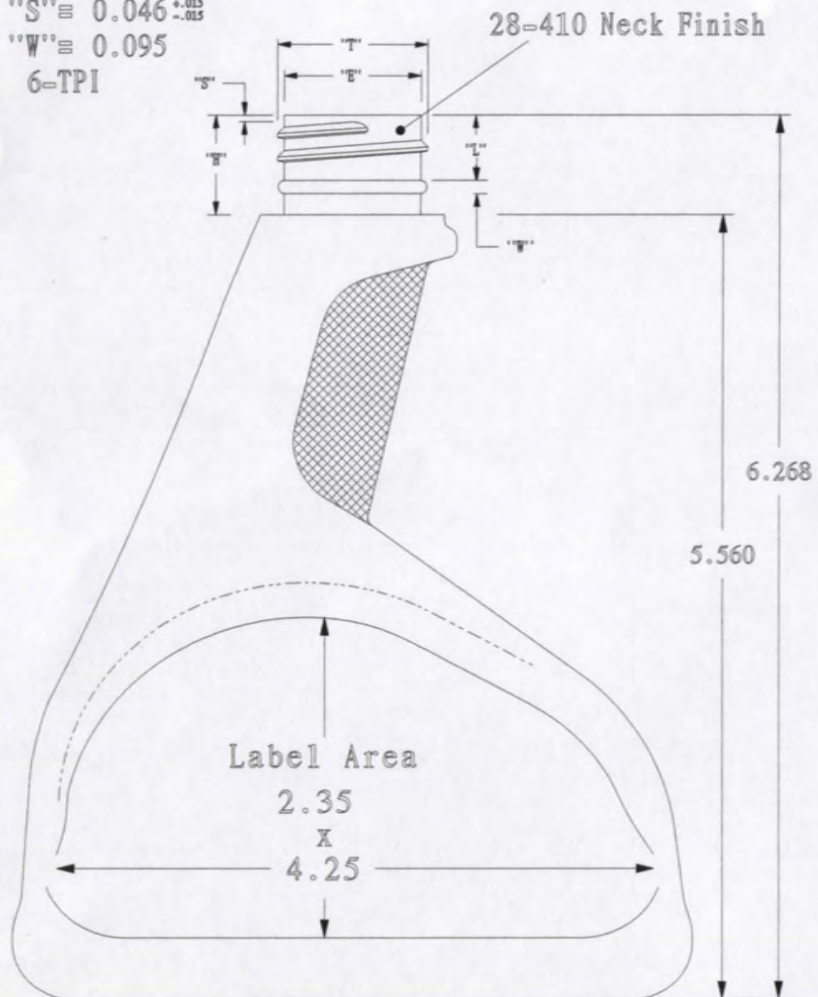
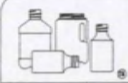


"T" = 1.078 \pm .010
 "E" = 0.984 \pm .010
 "H" = 0.708 \pm .015
 "L" = 0.464 \pm .015
 "S" = 0.046 \pm .015
 "W" = 0.095
 6-TPI



		R. N. FINK MFG. CO. WILLIAMSTON, MI 48895	
Date:	July 02, 2014	DoNot Scale	
Weight:		Drawn by:	R.Scott
Part Name:	17 oz. Sprayer 28-410 Neck Finish		