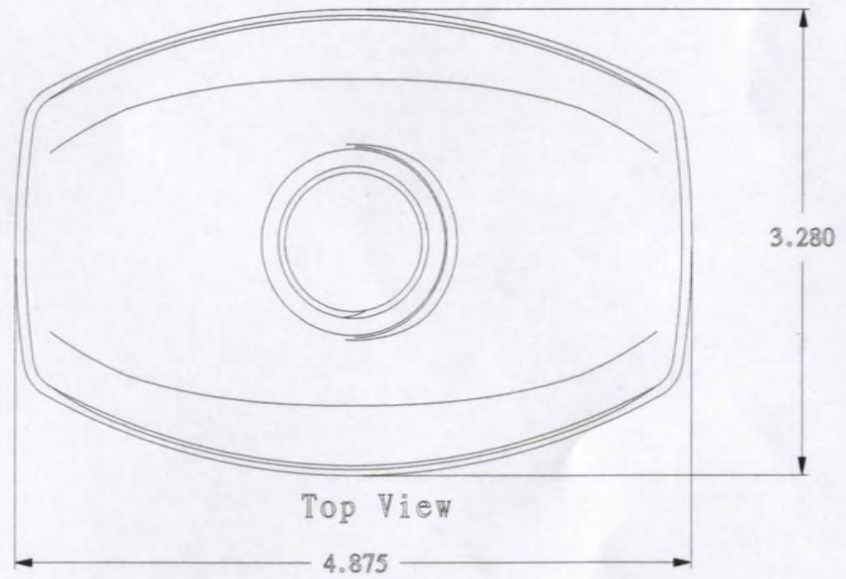
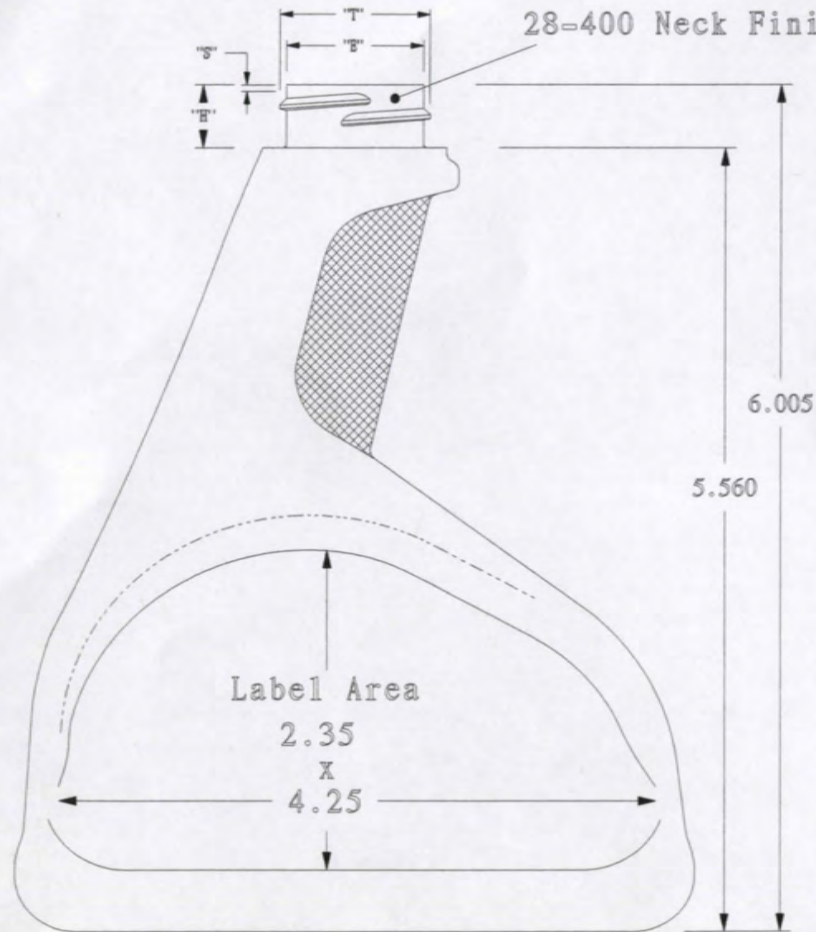
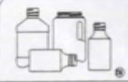


$T = 1.078 \begin{smallmatrix} +.010 \\ -.010 \end{smallmatrix}$
 $E = 0.984 \begin{smallmatrix} +.010 \\ -.010 \end{smallmatrix}$
 $H = 0.445 \begin{smallmatrix} +.015 \\ -.015 \end{smallmatrix}$
 $S = 0.046 \begin{smallmatrix} +.015 \\ -.015 \end{smallmatrix}$
 6-TPI



		R. N. FINK MFG. CO. WILLIAMSTON, MI 48895	
Date:	July 02, 2014	DoNot Scale	
Weight:		Drawn by:	R.Scott
Part Name:	17 oz. Sprayer 28-400 Neck Finish		