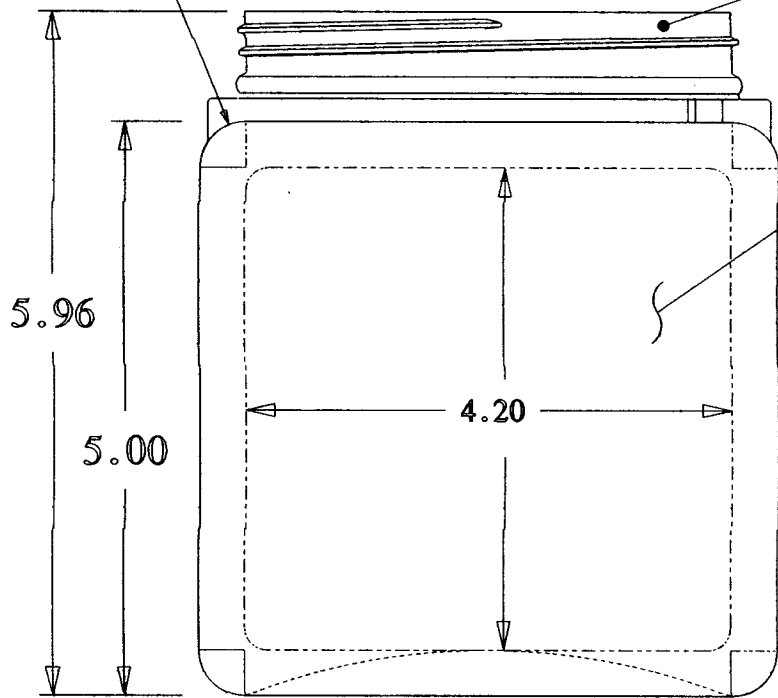


typ R .40

110-400 Sqz. Lock  
 Neck Finish Dimensions:  
 T  $\approx$  4.331-4.296  
 E  $\approx$  4.211-4.176  
 H  $\approx$  .775-.745  
 S  $\approx$  .045-.075  
 TPI  $\approx$  5  
 Gram Weight:



Replaceable & Customizable  
 Inserts on  
 one, two, three, or  
 all (4) four sides



R. N. FINK MFG. CO.  
 Williamston, Mi. 48895  
 517-655-4351

Part Weight:	Grams	Date:	Oct. 10, 2017
Material:		Drawn By:	R.Scott
Part Name:	64oz. Cube 110-400 Sqz. Lock		