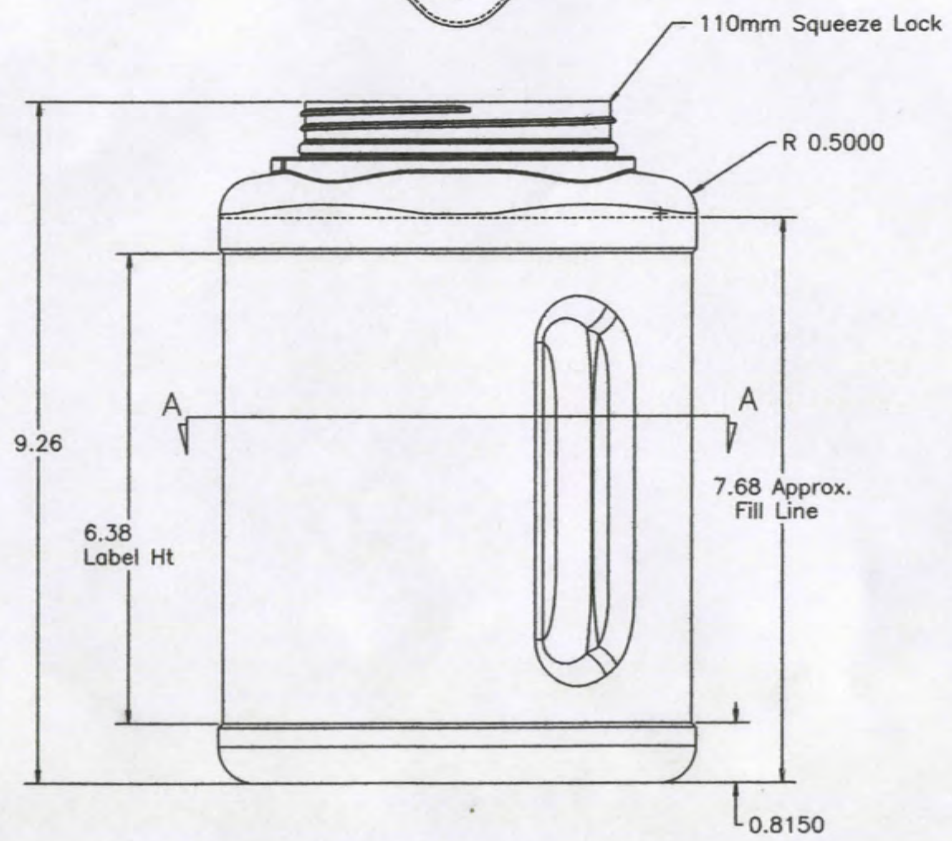
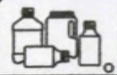


Section A-A



 <b>R.N. FINK MFG. CO.</b> WILLIAMSTON, MI. 48895	
Date: 8/22/2014	Scale: 1-1
Weight: 140 Grams	Drawn By: L. Koyns
Part Name: 96 Oz. Panel Square 110mm Squeeze Lock	