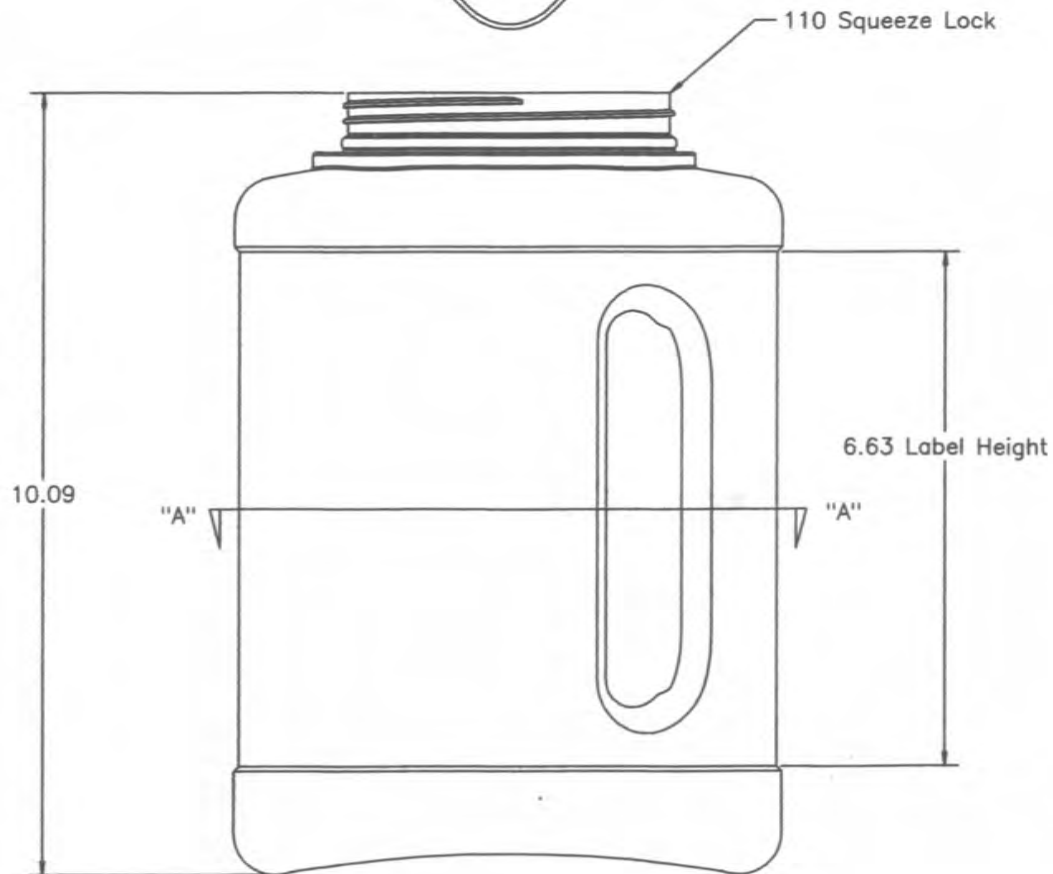


Section A-A



		R.N. FINK MFG. CO. WILLIAMSTON, MI. 48905	
Date: 4/14/16		Scale: 1-1	
Weight: 170 Grams		Drawn By: L. Koyné	
Part Name: 4 Liter Square Panel 110 Squeeze Lock			