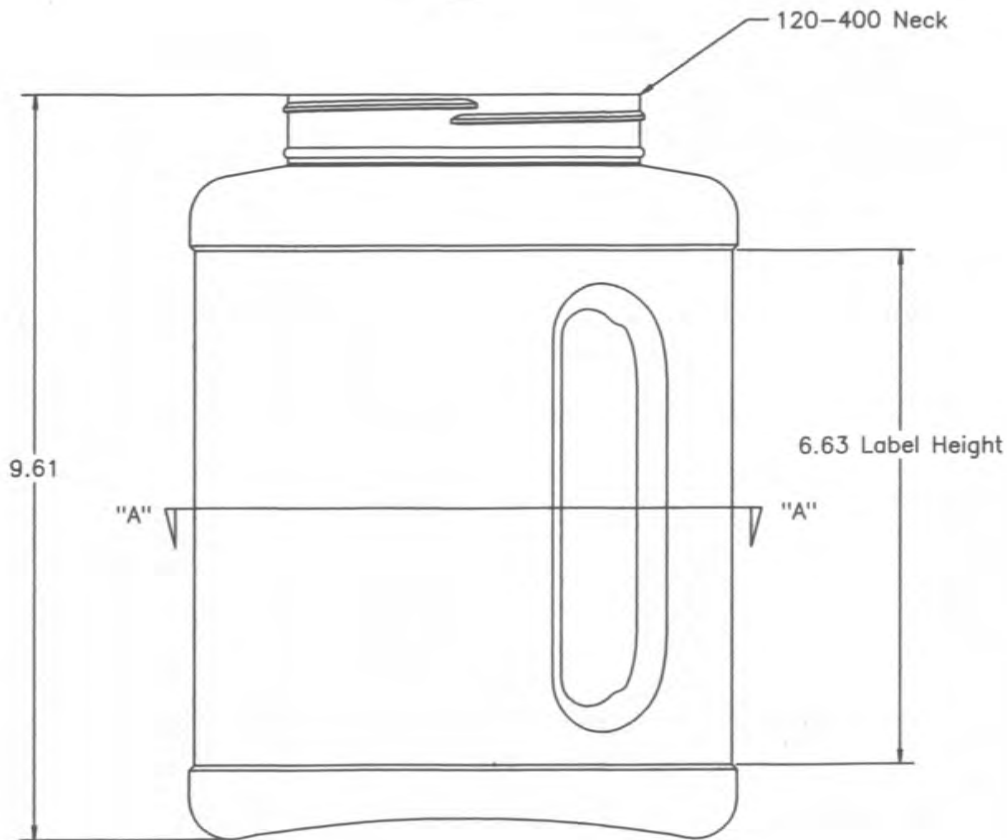


Section A-A



| | | | |
|---|--|--|--|
|  | | R.N. FINK MFG. CO. WILLIAMSTON, MI. 48865 | |
| Date: 4/14/16 | | Scale: 1-1 | |
| Weight: 160 Grams | | Drawn By: L. Koyns | |
| Part Name: 1 Gallon Square Panel 120-400 Neck | | | |